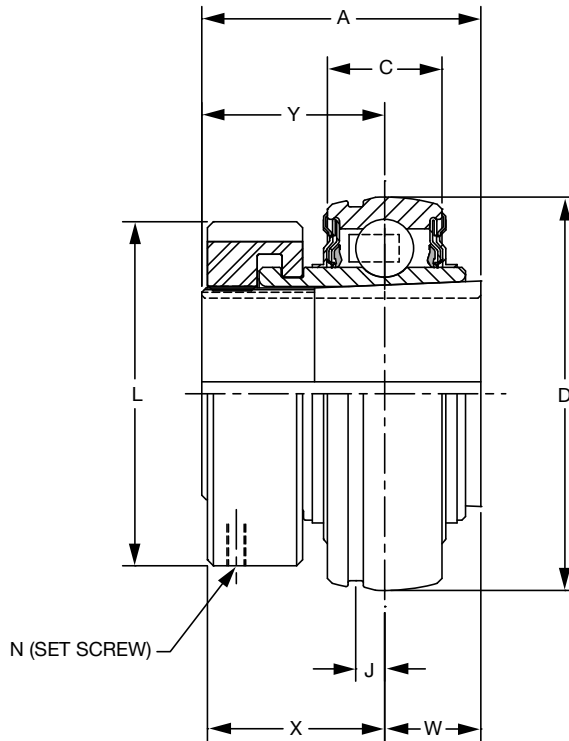
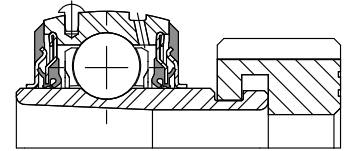


SELECTION/DIMENSIONS



E-Z KLEEN Mounted Bearings GT NORMAL DUTY BEARING INSERTS FOR E-Z KLEEN BEARINGS



Series	Shaft Size	Complete Unit		Unit Without Adapter		Adapter & Nut Assembly	
		Part No.	Description	Part No.	Description	Part No.	Description
204	3/4 20mm	129825	INS-GT-012-CR	129579	INS-GT-04-CR	129967	AN-GT-04-012-CR
		129826	INS-GT-20M-CR			129980	AN-GT-04-20M-CR
205	1 25mm	129827	INS-GT-100-CR	129580	INS-GT-05-CR	129968	AN-GT-05-100-CR
		129828	INS-GT-25M-CR			129981	AN-GT-05-25M-CR
206	1-1/8 1-3/16 1-1/4 30mm	@	INS-GT-102-CR	129581	INS-GT-06-CR	129969	AN-GT-06-102-CR
		129829	INS-GT-103-CR			129970	AN-GT-06-103-CR
		129830	INS-GT-104S-CR			129971	AN-GT-06-104S-CR
		129831	INS-GT-30M-CR			129982	AN-GT-06-30M-CR
207	1-1/4 1-3/8 1-7/16 35mm	129832	INS-GT-104-CR	129582	INS-GT-07-CR	129972	AN-GT-07-104-CR
		@	INS-GT-106-CR			129973	AN-GT-07-106-CR
		129833	INS-GT-107-CR			129974	AN-GT-07-107-CR
		129834	INS-GT-35M-CR			129983	AN-GT-07-35M-CR
208	1-1/2 40mm	129835	INS-GT-108-CR	129583	INS-GT-08-CR	129975	AN-GT-08-108-CR
		129836	INS-GT-40M-CR			129984	AN-GT-08-40M-CR
209	1-11/16 1-3/4 45mm	129837	INS-GT-111-CR	129584	INS-GT-09-CR	129976	AN-GT-09-111-CR
		@	INS-GT-112-CR			129977	AN-GT-09-112-CR
		129838	INS-GT-45M-CR			129985	AN-GT-09-45M-CR
210	1-15/16 2 50mm	129839	INS-GT-115-CR	129585	INS-GT-10-CR	129978	AN-GT-10-115-CR
		@	INS-GT-200-CR			129979	AN-GT-10-200-CR
		129840	INS-GT-50M-CR			129986	AN-GT-10-50M-CR

@ Assembled to order.

FEATURES/BENEFITS PAGE B2-3	HOW TO ORDER/NOMENCLATURE PAGE B2-8	SELECTION/DIMENSIONS PAGE B2-24	ACCESSORIES PAGE B2-77
--------------------------------	--	------------------------------------	---------------------------

SELECTION/DIMENSIONS



E-Z KLEEN Mounted Bearings

GT NORMAL DUTY BEARING INSERTS FOR E-Z KLEEN BEARINGS

Series	Shaft Size	Weight lbs kg	A	C	D	J	L	N Screw (UNF)	W#	X	Y#
204	3/4	0.6	1.48	0.58	1.8504	0.15	1.50	#10-32 x 1/4	0.46	1.03	1.02
	20mm	0.3	37.6	14.7	47.000	3.8	38.1		11.7	26.2	25.9
205	1	0.8	1.46	0.59	2.0472	0.16	1.80	#10-32 x 1/4	0.48	1.00	0.98
	25mm	0.4	37.1	15.0	52.000	4.1	45.7		12.2	25.4	24.9
206	1-1/8	1.2	1.61	0.69	2.4409	0.16	2.08	#10-32 x 1/4	0.52	1.13	1.09
	1-3/16										
	1-1/4										
207	30mm	0.6	40.9	17.5	62.000	4.1	52.8	#10-32 x 1/4	13.2	28.7	27.7
	1-1/4	1.8	1.62	0.75	2.8346	0.20	2.38		0.54	1.14	1.08
	1-3/8										
208	1-7/16							#10-32 x 1/4			
	35mm	0.8	41.1	19.1	72.000	5.1	60.5		13.7	29.0	27.4
	1-1/2	2.2	1.84	0.87	3.1496	0.22	2.62		0.61	1.23	1.23
209	40mm	1.0	46.7	22.1	80.000	5.6	66.5	#10-32 x 1/4	15.5	31.2	31.2
	1-11/16	2.5	1.85	0.87	3.3465	0.25	2.86		0.62	1.26	1.23
	1-3/4										
210	45mm		47.0	22.1	85.000	6.4	72.6	#10-32 x 1/4	15.7	32.0	31.2
	1-15/16	3.0	1.86	0.87	3.5433	0.25	3.13		0.63	1.26	1.23
	2										
210	50mm	1.4	47.2	22.1	90.000	6.4	79.5	#10-32 x 1/4	16.0	32.0	31.2

#W & Y dimensions will vary slightly depending on true shaft diameter.

FEATURES/BENEFITS PAGE B2-3	HOW TO ORDER/NOMENCLATURE PAGE B2-8	SELECTION/DIMENSIONS PAGE B2-24	ACCESSORIES PAGE B2-77
--------------------------------	--	------------------------------------	---------------------------