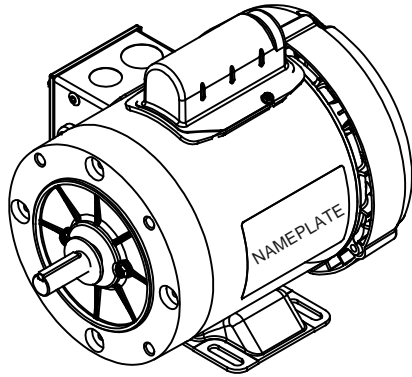
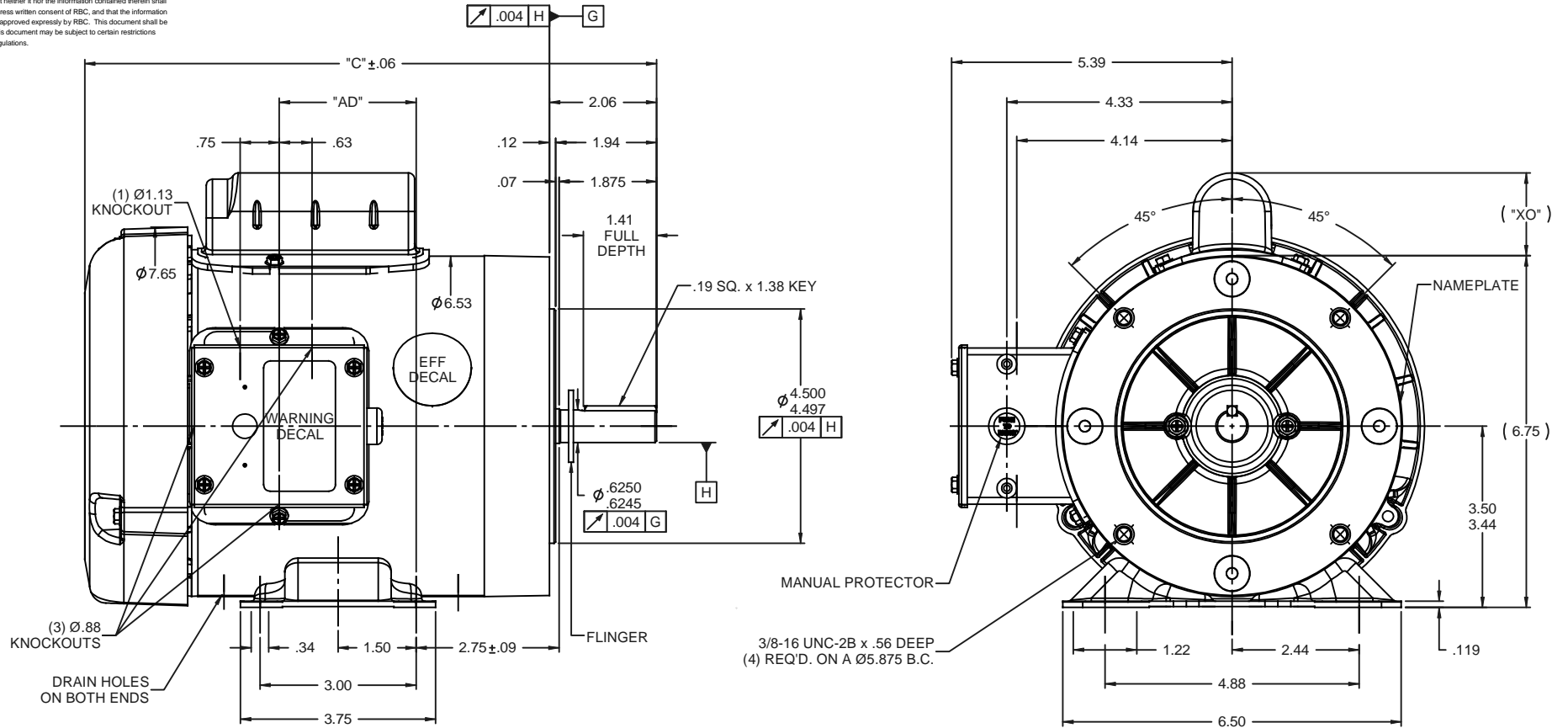


RBC PROPRIETARY AND CONFIDENTIAL INFORMATION  
 This document is the property of REGAL BELOIT CORPORATION ("RBC") including its subsidiaries and divisions and contains proprietary information of RBC. This document is loaned on the express condition that neither it nor the information contained therein shall be disclosed to others without the express written consent of RBC, and that the information shall be used by the recipient only as approved expressly by RBC. This document shall be returned to RBC upon its request. This document may be subject to certain restrictions under U.S. export control laws and regulations.



DASH NO.	"C"	"AD"	CAP. DASH		"XO"
550	10.99	2.63			
600	11.49	3.13			
650	11.99	3.63	A	1.61	
700	12.49	4.13	B	2.08	
750	12.99	4.63	C	2.32	
800	13.49	5.13			

SPECIAL FEATURES:  
 1) GASKETS THROUGHOUT  
 2) MANUAL PROTECTOR  
 3) FLINGER ON SHAFT

REVISION		BY & DATE	CHK	ANG	±1/2"	FINISH	ELECTRIC MOTORS GEARMOTORS AND DRIVES		DRAWN	GRB	12/05/08
							LEESON		CHK	DJ	12/05/08
							TITLE OUTLINE - 56C FRAME		APPR	DJ	12/05/08
							TEFC - RIGID "C" FACE		SCALE	1:2	
							MATL FARM DUTY		REF	028578	
									FMF	116486.00	
									PAGE	1	OF 1
									SIZE	DRAWING NO	
									B	028914	
									REV		