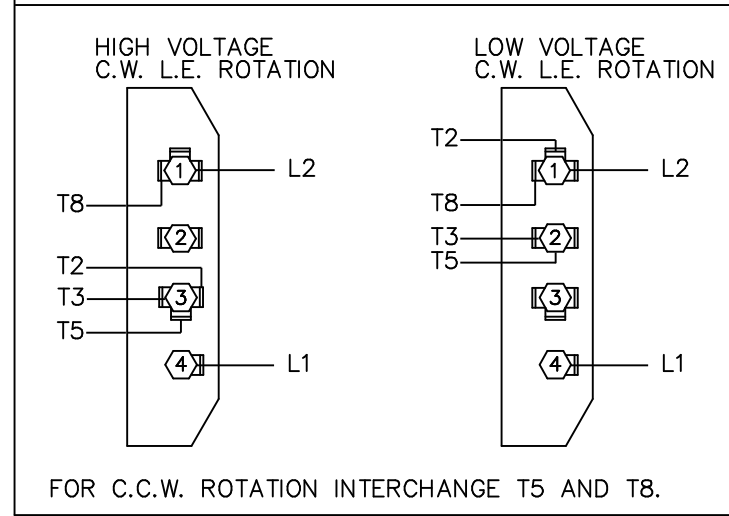
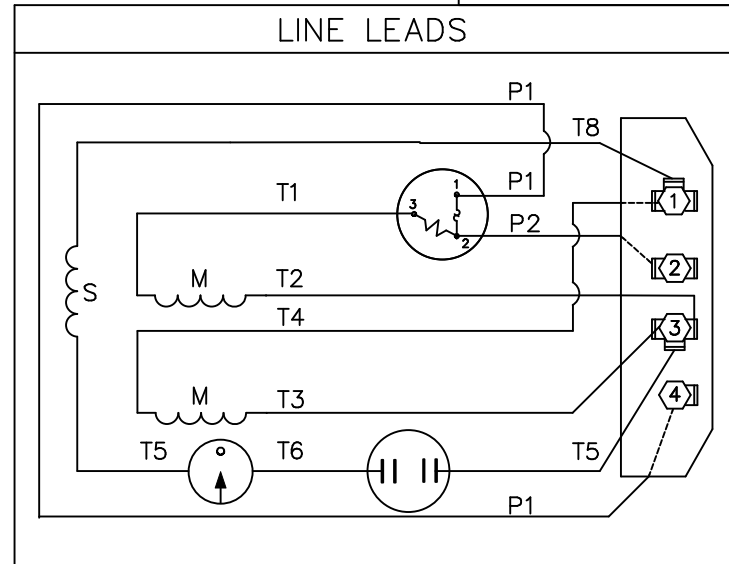
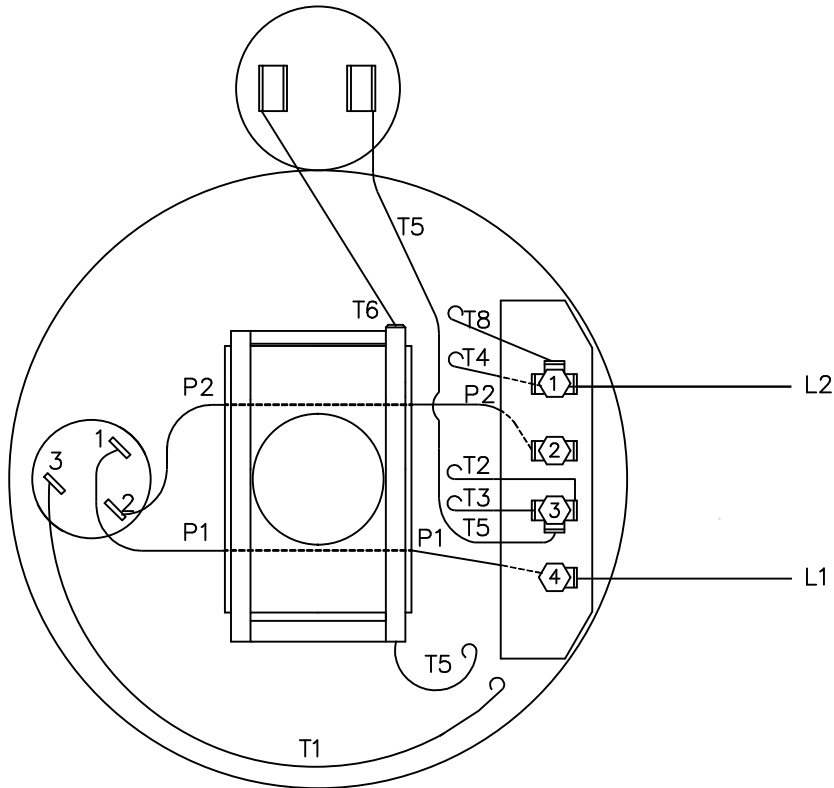


VIEW FROM OUTSIDE OF MOTOR AT SWITCH END.



				TOLERANCES UNLESS OTHERWISE SPECIFIED		LEESON ELECTRIC CORPORATION		
				DECIMALS				
				.00	± .01	DRAWN PLH 03/15/94	TITLE EXTERNAL WIRING DIAGRAM W/BOARD TYPE "C" W/PROTECTOR	
2	WAS C.C.W. LE ON HIGH VOLTAGE CONN.	DBT	08/25/97	.000	± .005	CH'K'D. GS 03/21/94		
1	REDRAWN ON CAD	DBT	06/05/97	.0000	± .0005	APPR. KW 03/28/94	MAT'L. C.W. DECAL - 080510	
NO.	REVISION	BY	DATE	FRACTIONS	± 1/64	SCALE 1=1	BRF	
THIS DRAWING IN DESIGN AND DETAIL IS OUR PROPERTY AND MUST NOT BE USED EXCEPT IN CONNECTION WITH OUR WORK ALL RIGHTS OF DESIGN AND INVENTION ARE RESERVED				ANGLES	± 1/2"	REF. PG.01		FINISH
				INCH/MM		FMF		SIZE A


```
ERROR: syntaxerror
OFFENDING COMMAND: --nostringval--

STACK:
```