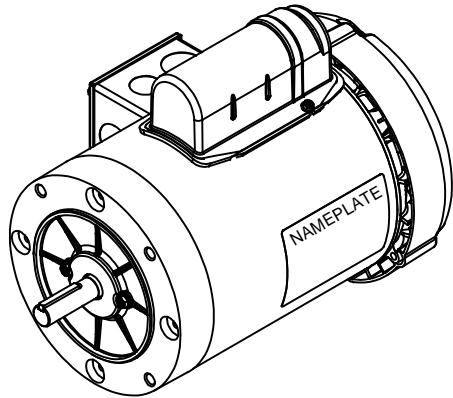
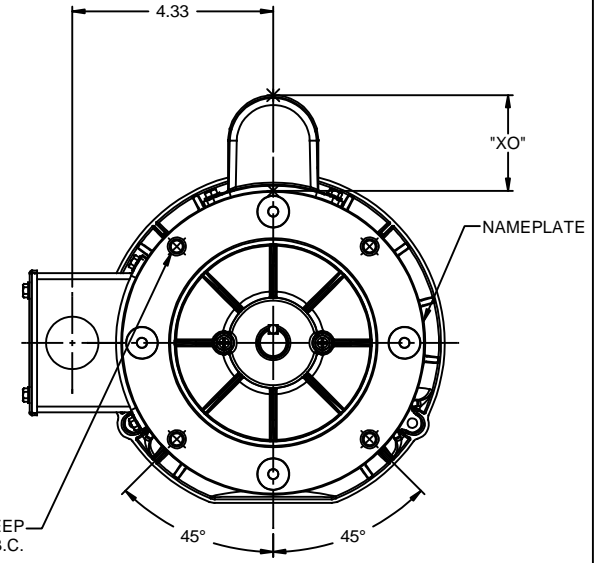


3/8-16 UNC-2B x .56 DEEP
 (4) REQD. ON A Ø5.875 B.C.



NOTES:
 1) GASKETS THROUGHOUT

DASH NO.	"C"	"AD"	CAP DASH XO	
500	10.48	4.69	A	1.61
550	10.98	5.19	B	2.08
600	11.48	5.69	C	2.32
650	11.98	6.19		
700	12.48	6.69		
750	12.98	7.19		
800	13.48	7.69		
850	13.98	8.19		

TOLERANCES UNLESS SPECIFIED		INCHES		TITLE	ELECTRIC MOTORS GEARMOTORS AND DRIVES	DRAWN GRB 07/17/2008
DEC	±.03	XX	±.005			
X	±.1	XXX	±.0005	TEFC - "C" FACE	SCALE 3:8	REF 028852
02	ADDED ISOMETRIC VIEW AS PER ISAAC #08-4017	GRB 9/5/2008	DJ		REF 110419.00	FMF 110419.00
01	ADDED "XO" DIMENSION	SRS 8/28/2008	XXX			
NO	REVISION	BY & DATE	CHK ANG ±1/2°	FINISH	PAGE	OF
	THIRD ANGLE PROJECTION		RFP 07/17/2008	PREV	SIZE	DRAWING NO
			NETWORK FILE NAME 028854		B	028854
						REV 02