

netSELECT

Wallplates

Molded-In Plate for Voice and CATV/Satellite, 1-Gang

HUBBELL

Features

- High Impact-Resistant Thermoplastic Construction
- Convenient Screw Down Terminals
- Plate Profile, Color, and Surface Finish Match Hubbell Electrical Wallplates
- Aesthetically Pleasing, Molded-In Appearance



Ordering Information

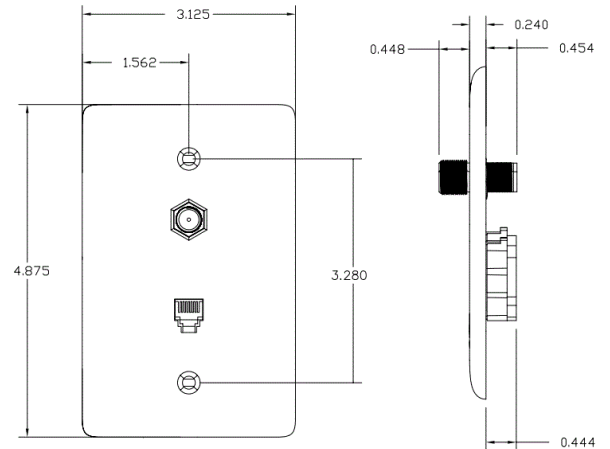
Description	Color	Catalog Number	UPC
Molded-In Plates for Voice and CATV/Satellite, Mid-Size, 1-Gang, One RJ11 Jack, One	Light Almond	NS755LA	883778504129

Listings

UL Listed
CSA Certified
Meets FCC Part 68
RoHS Compliant

Specifications

Material	High-Impact Resistant Thermoplastic
F-Connector	Single F-Type Coupler Bulkhead
Type	Female to Female
Termination Style	Screw



Online Resources

eCatalog

