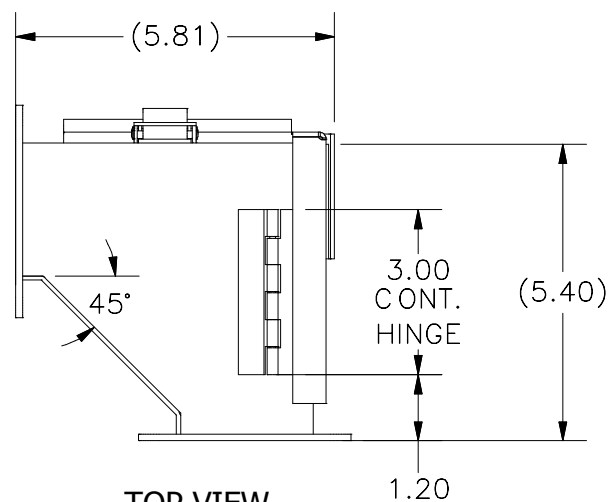
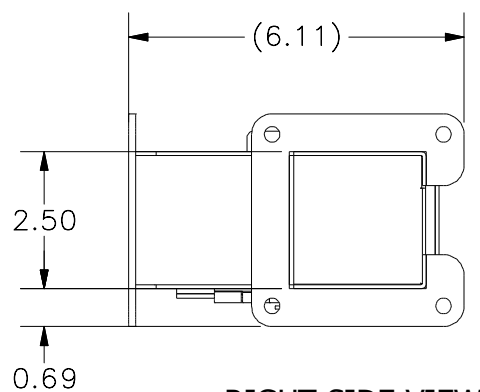


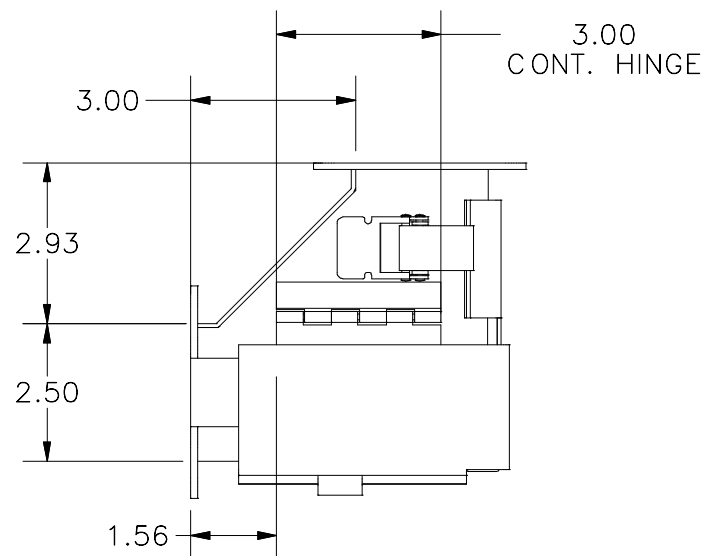
FRONT VIEW



TOP VIEW

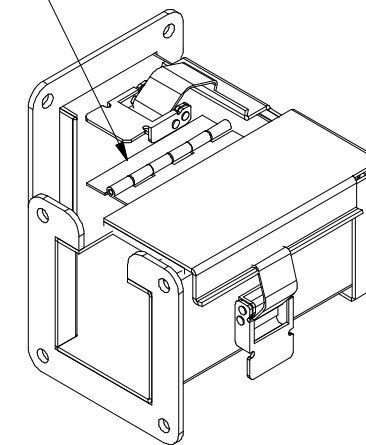


RIGHT SIDE VIEW



BOTTOM VIEW

QUICK-RELEASE DRAW LATCH (2 PL.)



PART#: LJW902CW  
 (DATA SUBJECT TO CHANGE WITHOUT NOTICE)

THIS DRAWING IS PROPERTY OF HUBBELL INC. WIEGMANN  
 ALL INFORMATION IS PROPRIETARY AND NOT TO BE DUPLICATED