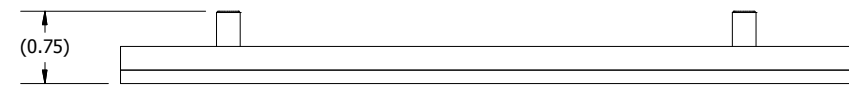
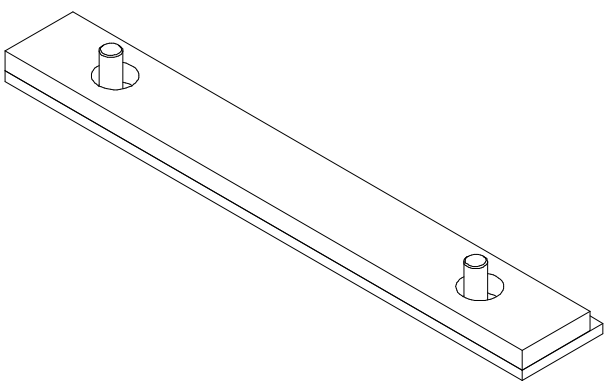
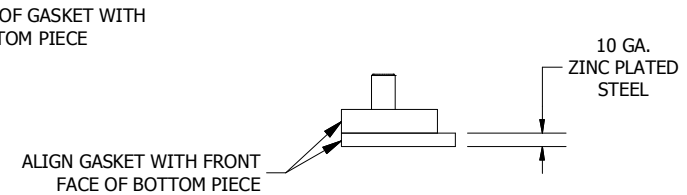


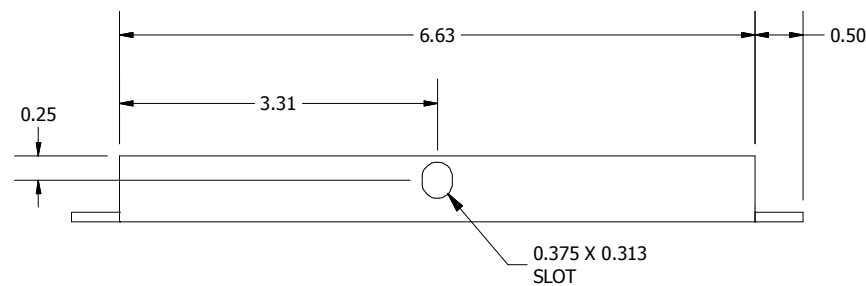
TOP VIEW



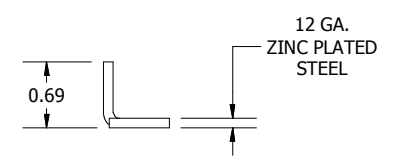
BOTTOM ASSEMBLY FRONT VIEW



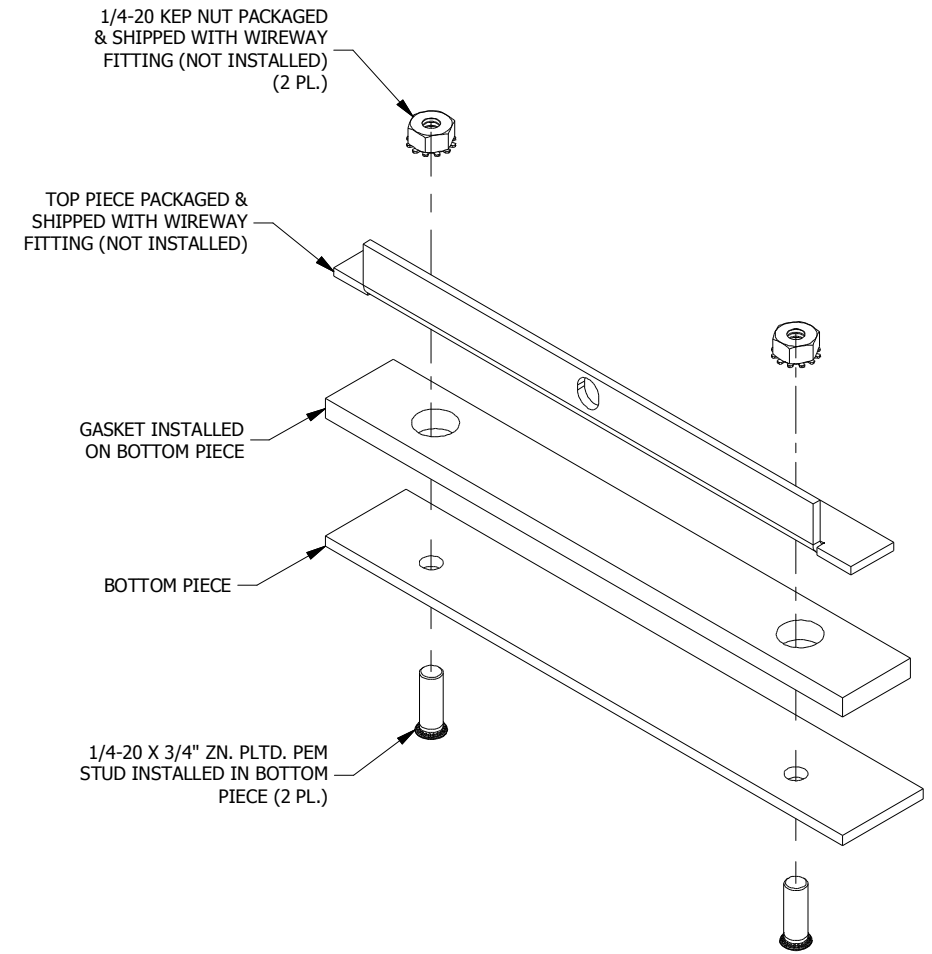
SIDE VIEW



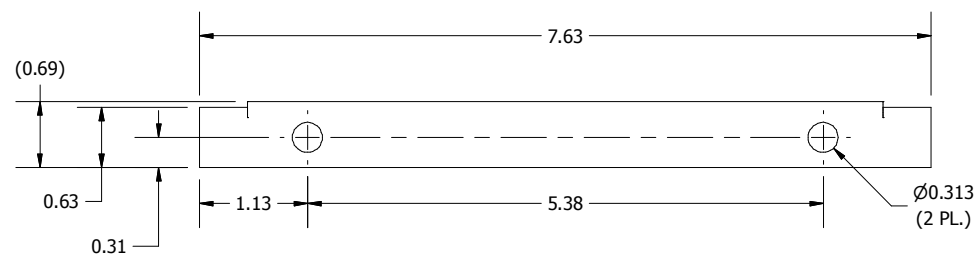
TOP PIECE FRONT VIEW



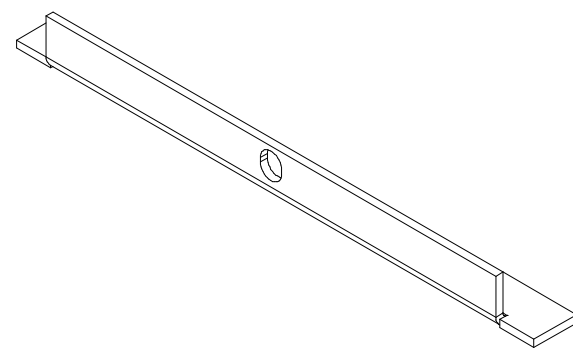
SIDE VIEW



ASSEMBLY EXPLODED VIEW



BOTTOM VIEW



PART#: LJW8ASP  
 (DATA SUBJECT TO CHANGE WITHOUT NOTICE)

THIS DRAWING IS PROPERTY OF HUBBELL INC. WIEGMANN  
 ALL INFORMATION IS PROPRIETARY AND NOT TO BE DUPLICATED