

Switched Disconnects and Enclosures

Circuit-Lock® NEMA 3R Enclosures with Switch, 30A 3-Pole

HUBBELL

Features

- All aluminum cover and base
- Metal Type 3R enclosure
- Ideal for use on outdoor equipment
- Surface mount control

Ordering Information

Description	UPC Number	Catalog Number
HBL7810D in HBL13R90 metal Type 3R enclosure, Ideal for use in outdoor environments	783585202686	HBL13R89D

Listings

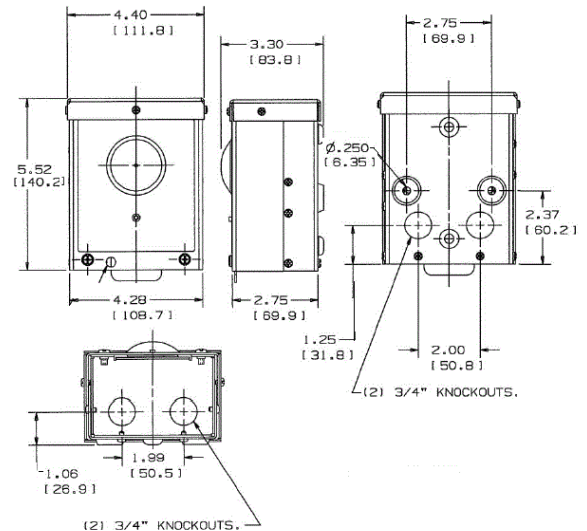
UL 508
CSA-C22.2 No.14

Specifications

Enclosure Material	Aluminum
--------------------	----------

Performance

Electrical	
Dielectric Voltage	2,200V AC minimum for 1 minute
Electrical Life	Min. 6,000 Cycles at rated switch load
Max. Working Voltage	600V AC RMS
Short Circuit Current Ratings (SCCR): (Motor Disconnect)	60A max. when protected by J fuses
Mechanical	
Mechanical Life	10,000 minimum cycles
Terminal Accommodations	#10 AWG Max.
Wire Type	Solid and stranded copper wire only
Environmental	
Flammability	UL94HB/VO
Operating Temperature	Max. Continuous: 75°C; Min. Continuous: -40°C without impact



Online Resources

Customer Use Drawing
eCatalog
Installation Instructions

Dimensions in Inches (mm)

Hubbell Wiring Device-Kellems • Hubbell Incorporated (Delaware) • 40 Waterview Drive • Shelton, CT 06484

Phone (800) 288-6000 • Fax (800) 255-1031 • Specifications subject to change without notice.

