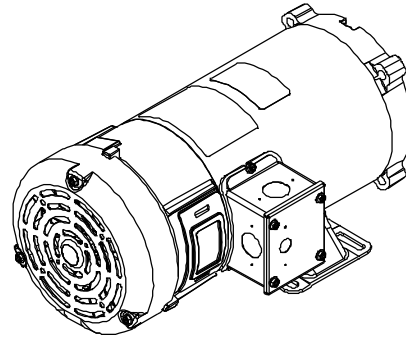
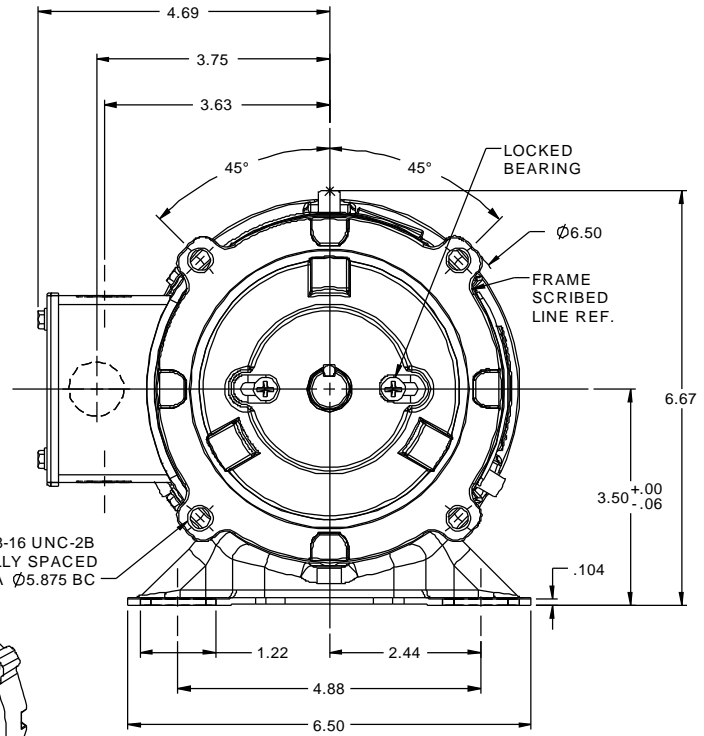
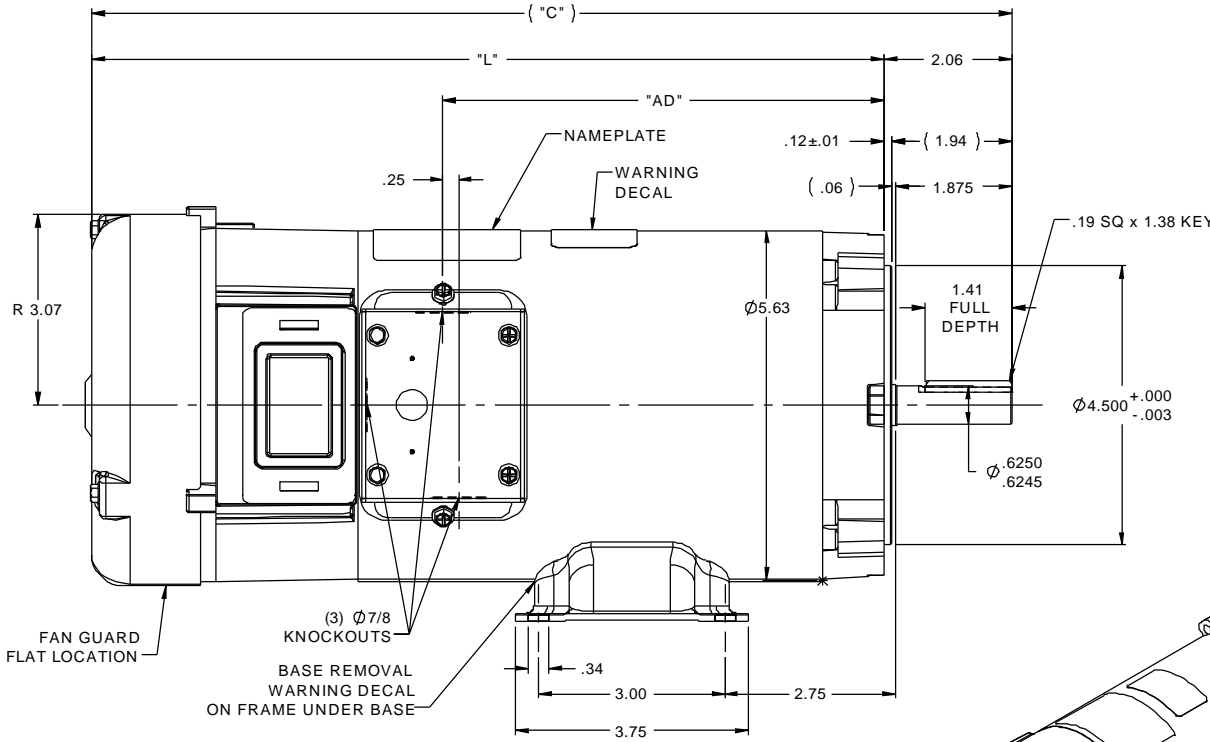


RBC PROPRIETARY AND CONFIDENTIAL INFORMATION  
 This document is the property of REGAL BELOIT CORPORATION ("RBC") including its subsidiaries and divisions and contains proprietary information of RBC. This document is based on the express condition that neither it nor the information contained therein shall be disclosed to others without the express written consent of RBC, and that the information shall be used by the recipient only as approved expressly by RBC. This document shall be returned to RBC upon its request. This document may be subject to certain restrictions under U.S. export control laws and regulations.



- NOTES:  
 1) MAXIMUM FACE RUNOUT .004 T.I.R.  
 2) MAXIMUM PILOT ECCENTRICITY .004 T.I.R.  
 3) PERMISSIBLE SHAFT RUNOUT .002 T.I.R.  
 4) GASKETS THROUGHOUT

|                    |            |            |             |              |             |            |
|--------------------|------------|------------|-------------|--------------|-------------|------------|
| 109100.00          | 15.82      | 13.76      | 8.10        | 90           | 3/4         | 1140       |
| 109099.00          | 14.32      | 12.26      | 6.60        | 90           | 1/2         | 1140       |
| 109098.00          | 12.82      | 10.76      | 5.10        | 90           | 1/3         | 1140       |
| 108265.00          | 15.32      | 13.26      | 7.60        | 180          | 1 1/2       | 2500       |
| 108092.00          | 16.82      | 14.76      | 9.10        | 180          | 1 1/2       | 1750       |
| 108023.00          | 14.82      | 12.76      | 7.10        | 180          | 1           | 1750       |
| 108022.00          | 14.82      | 12.76      | 7.10        | 90           | 1           | 1750       |
| 108021.00          | 13.82      | 11.76      | 6.10        | 180          | 1           | 2500       |
| 108020.00          | 13.32      | 11.26      | 5.60        | 90           | 1           | 2500       |
| 108019.00          | 13.82      | 11.76      | 6.10        | 180          | 3/4         | 1750       |
| 108018.00          | 13.82      | 11.76      | 6.10        | 90           | 3/4         | 1750       |
| 108017.00          | 12.82      | 10.76      | 5.10        | 180          | 3/4         | 2500       |
| 108016.00          | 12.82      | 10.76      | 5.10        | 90           | 3/4         | 2500       |
| 108015.00          | 12.82      | 10.76      | 5.10        | 180          | 1/2         | 1750       |
| 108014.00          | 12.82      | 10.76      | 5.10        | 90           | 1/2         | 1750       |
| <b>CATALOG No.</b> | <b>"C"</b> | <b>"L"</b> | <b>"AD"</b> | <b>VOLTS</b> | <b>H.P.</b> | <b>RPM</b> |

|    |  |               |                             |        |            |        |  |  |  |
|----|--|---------------|-----------------------------|--------|------------|--------|--|--|--|
| 06 | CHANGED .06 & 1.94 DIMS TO REF., ISAAC 12-0984                               | IPG 1/30/2013 | TOLERANCES UNLESS SPECIFIED |        |            |        |  |  |  |
| 05 | ADDED NOTE ABOUT FAN GUARD LOCATION, ISAAC 09-4813                           | IPG 12/4/2009 | DEC INCHES                  |        |            |        |  |  |  |
| 04 | CAT. # 108092.00: "C" WAS 17.32, "L" WAS 15.26, "AD" WAS 9.60, ISAAC 09-1828 | IPG 5/14/2009 | X ±.1                       |        |            |        |  |  |  |
| 03 | ADDED DATA FOR VARIOUS CAT. NUMBERS, COMPLETED                               | IPG 9/15/2008 | XXX ±.005                   |        |            |        |  |  |  |
|    | TABLE  |               | XXXX ±.0005                 |        |            |        |  |  |  |
| NO | REVISION   | BY & DATE     | CHK LANG ±1/2°              | FINISH |            |        |  |  |  |
|    | THIRD ANGLE PROJECTION   |               | RFP                         | PREV   |            |        |  |  |  |
|    |  |               | NETWORK FILE NAME           | 031879 |            |        |  |  |  |
|    |  |               | SIZE                        | B      | DRAWING NO | 031879 |  |  |  |
|    |  |               |                             |        | REV        | 06     |  |  |  |



ELECTRIC MOTORS  
 GEARMOTORS  
 AND DRIVES

DRAWN RWS 1/8/08  
 CHK IPG 1/9/08  
 APPR

TITLE OUTLINE  
 48 FRAME DC - S56C MOUNT  
 SCALE 1:2  
 REF 031189.00  
 FMF 108022.75  
 PAGE OF