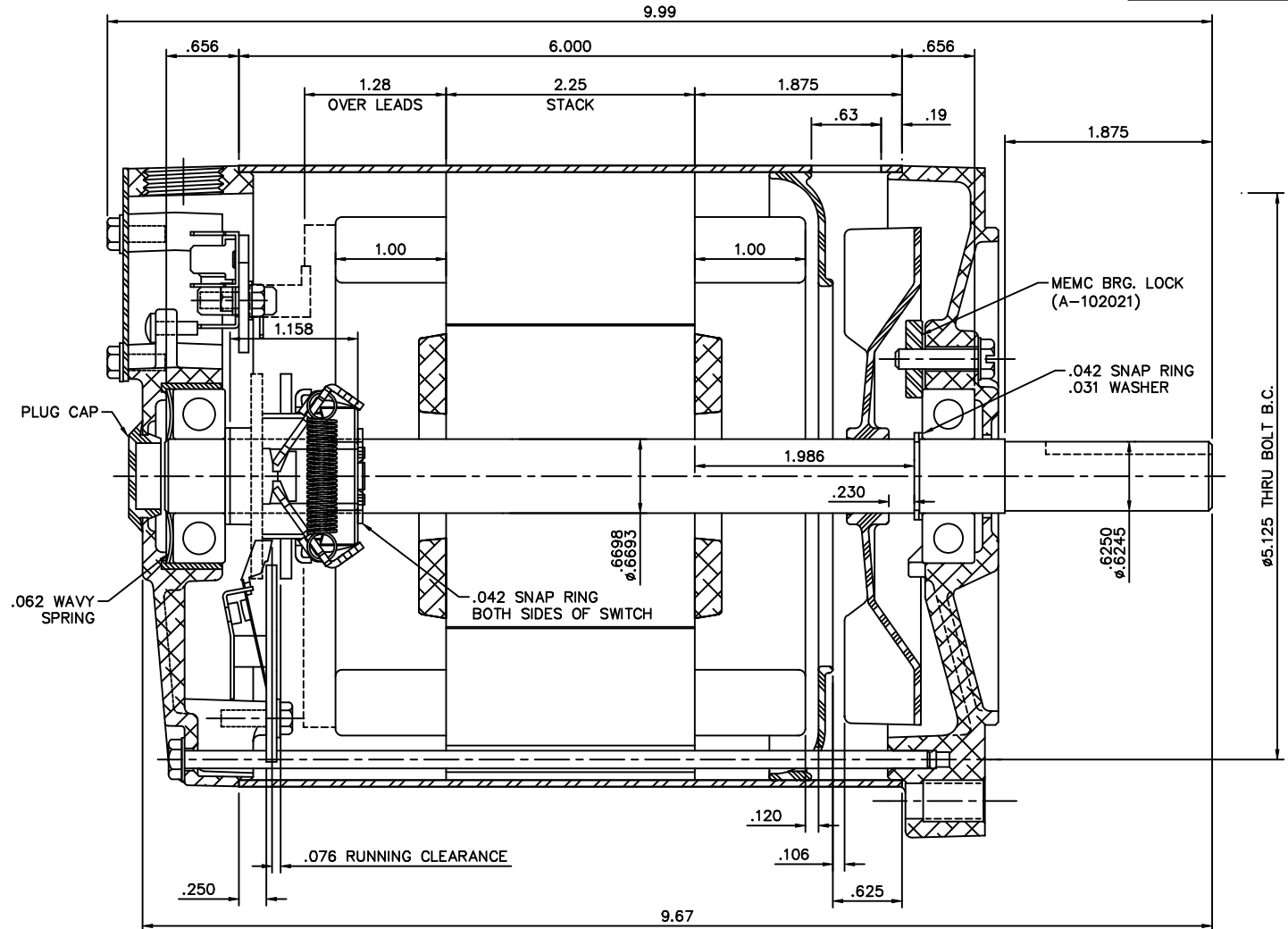
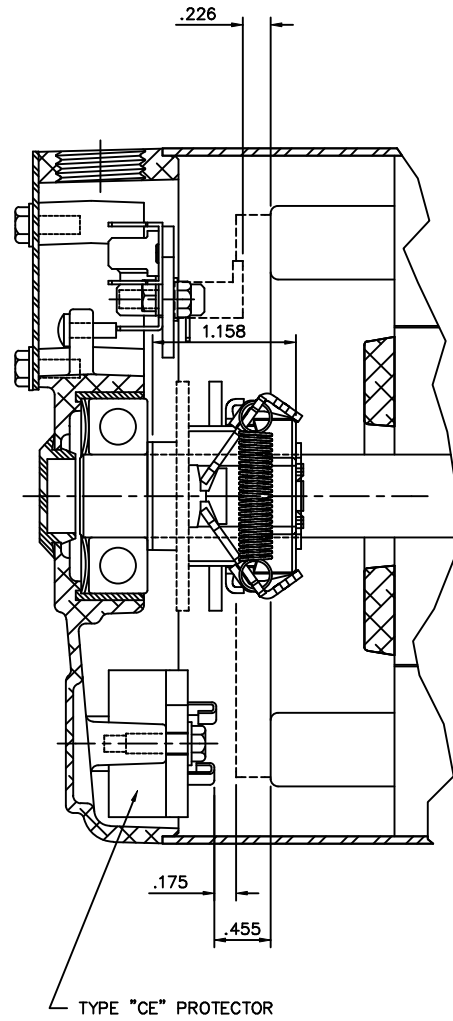


L0100205



		TOLERANCES UNLESS SPECIFIED		LEESON	ELECTRIC MOTORS GEARMOTORS AND DRIVES	DRAWN
		DEC.	INCHES			KMM
		.X	±.1			CHK
		.XX	±.01	TITLE	LAYOUT - S56C FRAME	APPD
		.XXX	±.005		DRIP PROOF - 1 PHASE - "C" FACE	SCALE 1=1
01	REVISED M4 TERMINAL TO K CLIP PER ENG'R	KMM	5/27/03	MAT'L	S.E. ENDBELL Q20091	REF
NO.	REVISION	BY & DATE	CHK	ANG	FINISH	FMF 100205
THIS DRAWING IN DESIGN AND DETAIL IS OUR PROPERTY AND MUST NOT BE USED EXCEPT IN CONNECTION WITH OUR WORK ALL RIGHTS OF DESIGN AND INVENTION ARE RESERVED THIS IS AN ELECTRONICALLY GENERATED DOCUMENT - DO NOT SCALE THIS PRINT				RFP	CAD FILE	PREV
				DIST	L0100205	SIZE
						DRAWING NO.
						B
						L0100205
						REV.
						01