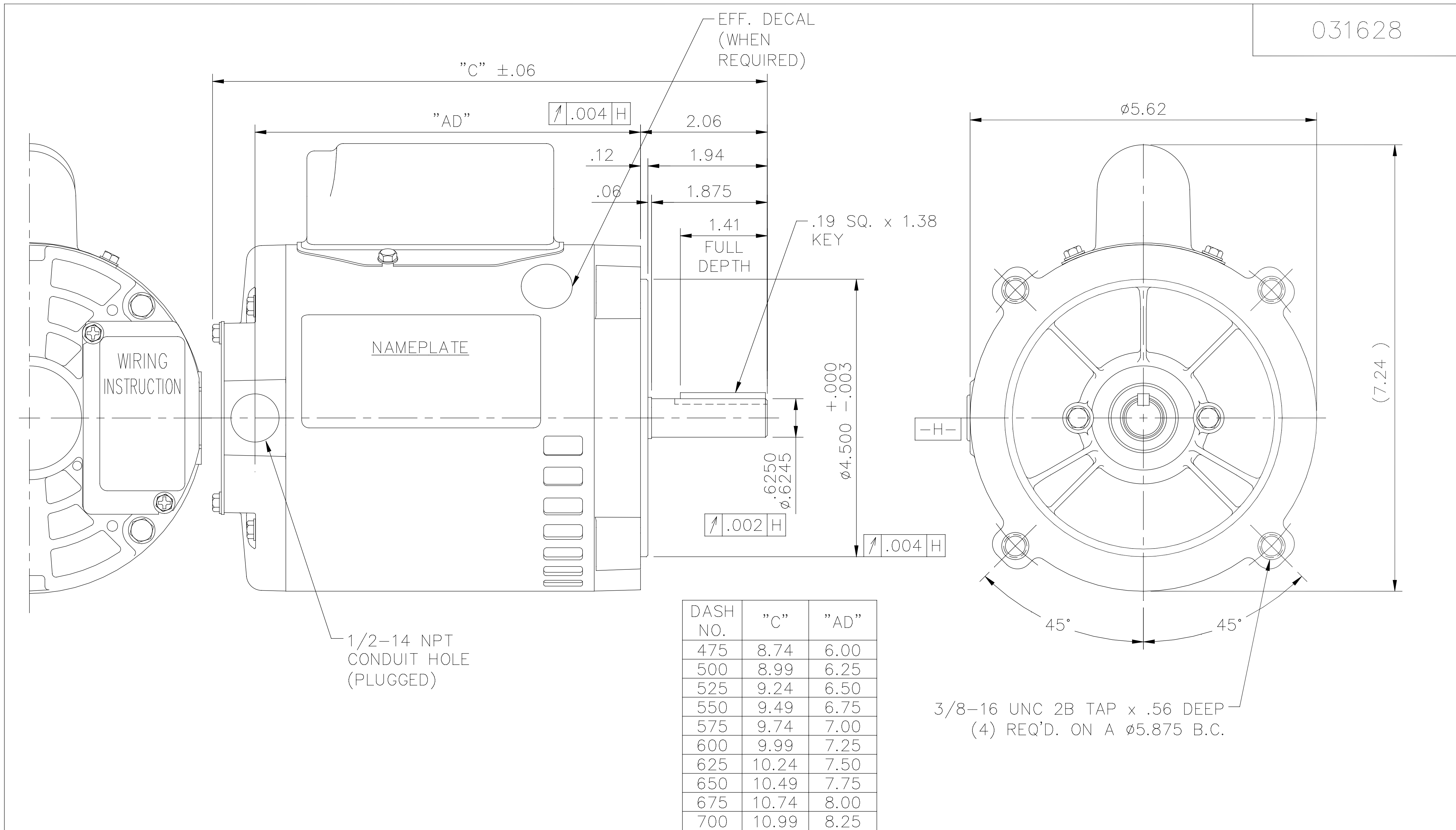
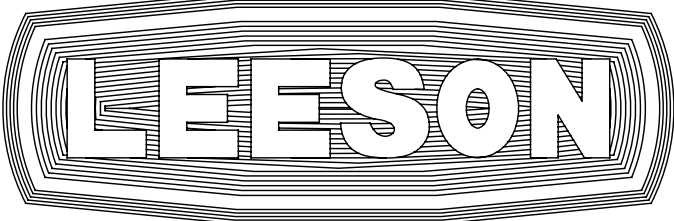


031628



				TOLERANCES UNLESS SPECIFIED		 <b>ELECTRIC MOTORS GEARMOTORS AND DRIVES</b>		DRAWN PG 5/24/01	
				DEC.	INCHES			CHK	APPD
				.X	±.1	TITLE <b>OUTLINE – S56C FRAME "C" FACE MOUNT – DRIP PROOF</b> MAT'L. <b>1 PHASE</b> FINISH		SCALE	1=2
02	UPDATED WITH CAP BOX AND DECAL	SL 10/01/15	JD	.XXX	±.005			REF	031070
01	REVISED CALLOUT OF GD&T	KMM 6/6/02		.XXXX	±.0005			FMF	100019
NO.	REVISION	BY & DATE	CHK	ANG	±1/2°	PREV			
THIS DRAWING IN DESIGN AND DETAIL IS OUR PROPERTY AND MUST NOT BE USED EXCEPT IN CONNECTION WITH OUR WORK ALL RIGHTS OF DESIGN AND INVENTION ARE RESERVED THIS IS AN ELECTRONICALLY GENERATED DOCUMENT – DO NOT SCALE THIS PRINT				RFP	CAD FILE	031628		SIZE	DRAWING NO.
				DIST			A	031628	REV. 02