

DIMENSIONS



D-LOK

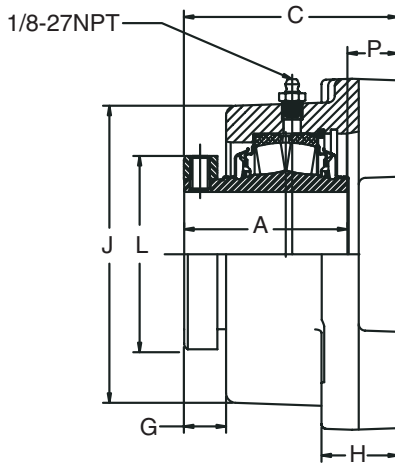
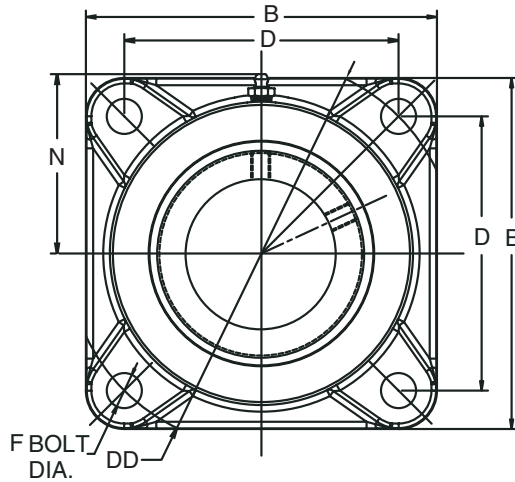
Type E Family

Specialty Tapered

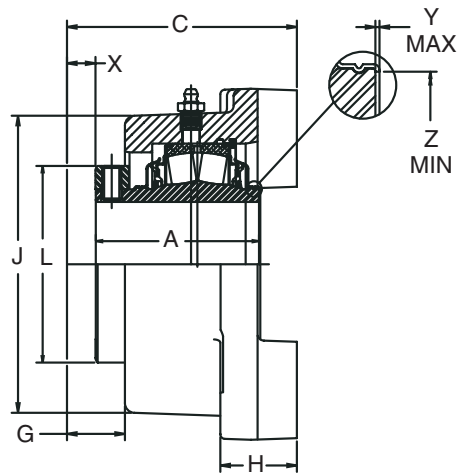
S-2000

UNISPHERE II

S-2000 Flange Bearing - Square with Type E Dimensions



NON-EXPANSION



EXPANSION

<p>FEATURES/BENEFITS PAGE B8-3</p>	<p>NOMENCLATURE PAGE B8-7</p>	<p>SELECTION PAGE B8-9</p>	<p>INTERCHANGE CHARTS PAGE B8-46</p>
--	-----------------------------------	--------------------------------	--



S-2000 Flange Bearing - Square with Type E Dimensions

Bearing Series	Shaft Size*	TRIDENT Seal				Labyrinth Seal			
		Non Expansion		Expansion		Non Expansion		Expansion	
		Part No.	Part Name	Part No.	Part Name	Part No.	Part Name	Part No.	Part Name
22208	1-3/8	071469	EF4B-S2-106R	071482	EF4B-S2-106RE	071495	EF4B-S2-106L	071508	EF4B-S2-106LE
	1-7/16	071470	EF4B-S2-107R	071483	EF4B-S2-107RE	071496	EF4B-S2-107L	071509	EF4B-S2-107LE
22209	1-11/16	071471	EF4B-S2-111R	071484	EF4B-S2-111RE	071497	EF4B-S2-111L	071510	EF4B-S2-111LE
22210	1-15/16	071472	EF4B-S2-115R	071485	EF4B-S2-115RE	071498	EF4B-S2-115L	071511	EF4B-S2-115LE
	2	071473	EF4B-S2-200R	071486	EF4B-S2-200RE	071499	EF4B-S2-200L	071512	EF4B-S2-200LE
22211	2-3/16	071474	EF4B-S2-203R	071487	EF4B-S2-203RE	071500	EF4B-S2-203L	071513	EF4B-S2-203LE
22213	2-7/16	071475	EF4B-S2-207R	071488	EF4B-S2-207RE	071501	EF4B-S2-207L	071514	EF4B-S2-207LE
22215	2-11/16	071476	EF4B-S2-211R	071489	EF4B-S2-211RE	071502	EF4B-S2-211L	071515	EF4B-S2-211LE
	2-15/16	071477	EF4B-S2-215R	071490	EF4B-S2-215RE	071503	EF4B-S2-215L	071516	EF4B-S2-215LE
	3	071478	EF4B-S2-300R	071491	EF4B-S2-300RE	071504	EF4B-S2-300L	071517	EF4B-S2-300LE
22218	3-7/16	071479	EF4B-S2-307R	071492	EF4B-S2-307RE	071505	EF4B-S2-307L	071518	EF4B-S2-307LE
22220	3-15/16	071480	EF4B-S2-315R	071493	EF4B-S2-315RE	071506	EF4B-S2-315L	071519	EF4B-S2-315LE
22222	4-7/16	071481	EF4B-S2-407R	071494	EF4B-S2-407RE	071507	EF4B-S2-407L	071520	EF4B-S2-407LE

*CONSULT DODGE FOR SIZES NOT LISTED

SHAFT SIZE	A	B #	C #	D	DD	F BOLT DIA.	G	H #	J #	L	N	P	X TOTAL EXP.	Y	Z	SET SCREW SIZE	S/S TORQUE IN/LBS
1-3/8	2.53	4.62	3.06	3.50	4.950	1/2	0.57	1.06	3.88	2.55	2.34	0.53	0.16	0.020	1.80	5/16-18	165
1-7/16	2.67	5.37	3.50	4.13	5.834	1/2	0.53	1.19	4.18	3.01	2.51	0.84	0.19	0.020	2.08	5/16-18	165
1-15/16	2.84	5.62	3.63	4.37	6.187	1/2	0.65	1.18	4.36	3.26	2.60	0.78	0.22	0.020	2.30	3/8-16	290
2	2.94	6.25	3.87	4.87	6.894	5/8	0.60	1.38	4.88	3.50	2.88	0.93	0.25	0.025	2.60	3/8-16	290
2-3/16	3.20	6.88	4.19	5.37	7.601	5/8	0.83	1.50	5.81	3.86	3.32	0.98	0.25	0.025	2.95	3/8-16	290
2-7/16	3.59	7.76	4.69	6.00	8.485	3/4	0.88	1.61	6.30	4.61	3.58	1.09	0.25	0.025	3.47	1/2-13	620
2-11/16	4.01	9.25	5.25	7.00	9.899	3/4	0.96	1.87	7.44	5.50	4.15	1.24	0.25	0.025	4.05	1/2-13	620
2-15/16	4.48	10.25	6.50	7.75	10.960	7/8	1.00	2.12	8.27	6.00	4.58	2.02	0.31	0.025	4.50	5/8-11	1325
3	4.77	10.88	7.10	8.75	12.374	7/8	1.39	2.43	9.13	6.45	5.01	0.56	0.38	N/A	N/A	5/8-11	1325

NOTE(S): "P" DIMENSION IS FOR NON-EXPANSION ONLY

"A" AND "P" DIMENSIONS DO NOT INCLUDE "Y" DIMENSION

- REFERENCE DIMENSIONS ONLY

FEATURES/BENEFITS PAGE B8-3	NOMENCLATURE PAGE B8-7	SELECTION PAGE B8-9	INTERCHANGE CHARTS PAGE B8-46
--------------------------------	---------------------------	------------------------	----------------------------------