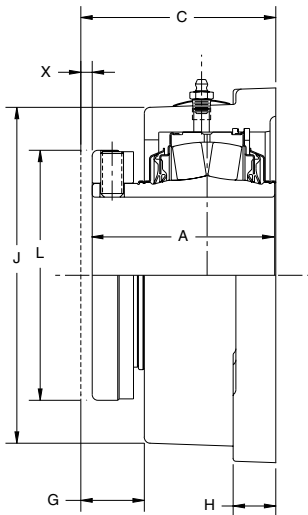
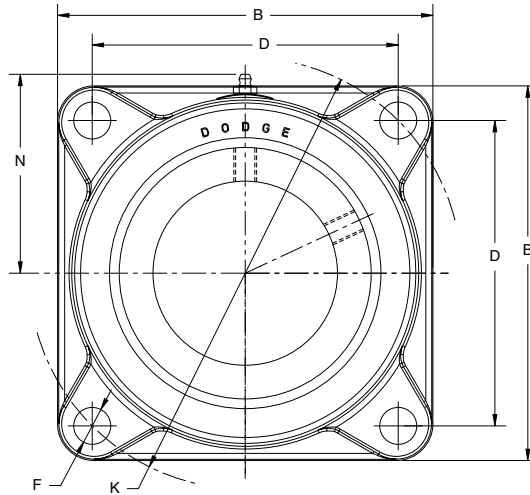
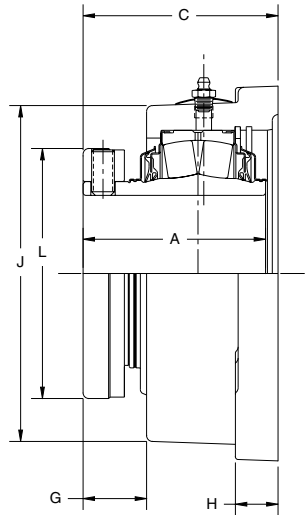


DIMENSIONS

S-2000 Flange - Square



EXPANSION



NON-EXPANSION

S-2000 FEATURES/BENEFITS PAGE 2	S-2000 HOW TO ORDER PAGE 5	S-2000 NOMENCLATURE PAGE 6	S-2000 SELECTION PAGE 7
------------------------------------	-------------------------------	-------------------------------	----------------------------



DIMENSIONS

S-2000 Flange - Square

Bearing	Shaft Size Inch	TRIDENT Seal				Labyrinth Seal			
		Non-Expansion		Expansion		Non-Expansion		Expansion	
		Part No.	Part Name	Part No.	Part Name	Part No.	Part Name	Part No.	Part Name
22208	1-3/8	070541	F4S-S2-106R	070564	F4S-S2-106RE	070600	F4S-S2-106L	070853	F4S-S2-106LE
	1-7/16	070542	F4S-S2-107R	070565	F4S-S2-107RE	070601	F4S-S2-107L	070854	F4S-S2-107LE
	1-1/2	070543	F4S-S2-108R	070566	F4S-S2-108RE	070602	F4S-S2-108L	070855	F4S-S2-108LE
22209	1-11/16	070545	F4S-S2-111R	070568	F4S-S2-111RE	070604	F4S-S2-111L	070857	F4S-S2-111LE
	1-3/4	070546	F4S-S2-112R	070569	F4S-S2-112RE	070605	F4S-S2-112L	070858	F4S-S2-112LE
22210	1-15/16	070547	F4S-S2-115R	070570	F4S-S2-115RE	070606	F4S-S2-115L	070859	F4S-S2-115LE
	2	070548	F4S-S2-200R	070571	F4S-S2-200RE	070607	F4S-S2-200L	070860	F4S-S2-200LE
22211	2-3/16	070549	F4S-S2-203R	070572	F4S-S2-203RE	070608	F4S-S2-203L	070861	F4S-S2-203LE
22213	2-7/16	070551	F4S-S2-207R	070574	F4S-S2-207RE	070610	F4S-S2-207L	070863	F4S-S2-207LE
22215	2-11/16	070553	F4S-S2-211R	070576	F4S-S2-211RE	070612	F4S-S2-211L	070865	F4S-S2-211LE
	2-15/16	070554	F4S-S2-215R	070577	F4S-S2-215RE	070613	F4S-S2-215L	070866	F4S-S2-215LE
	3	070555	F4S-S2-300R	070578	F4S-S2-300RE	070614	F4S-S2-300L	070867	F4S-S2-300LE
22218	3-7/16	070557	F4S-S2-307R	070580	F4S-S2-307RE	070616	F4S-S2-307L	070869	F4S-S2-307LE
22220	3-15/16	070559	F4S-S2-315R	070582	F4S-S2-315RE	070618	F4S-S2-315L	070871	F4S-S2-315LE

SHAFT SIZE	A	B	C	D	F BOLT DIA	G	H	J	K	L	N	X TOTAL EXP.
1-3/8 1-7/16 1-1/2	2-17/32	4-3/4	2-49/64	3-17/32	1/2	63/64	1/2	3-13/16	5	2-3/4	2-31/64	3/16
1-11/16 1-3/4	2-43/64	5-1/8	2-31/32	3-57/64	1/2	1-5/64	1/2	4-13/32	5-1/2	3-3/16	2-25/32	1/4
1-15/16 2	2-27/32	5-19/64	3-5/32	4-1/16	1/2	1-15/64	9/16	4-31/32	5-3/4	3-7/16	2-29/32	1/4
2-3/16 2-7/16	2-15/16 3-13/64	5-7/8 6-1/8	3-1/4 3-33/64	4-33/64 4-25/32	5/8 5/8	1-13/64 1-9/64	9/16 41/64	5-1/64 5-5/8	6-3/8 6-3/4	3-3/4 4-1/16	3-3/32 3-13/32	1/4 1/4
2-11/16 2-15/16 3	3-19/32	7-3/16	3-29/32	5-9/16	3/4	1-33/64	3/4	6-1/2	7-7/8	4-45/64	3-27/32	1/4
3-7/16 3-15/16	4 4-15/32	8-1/4 9-1/4	4-5/16 4-27/32	6-23/32 7-39/64	3/4 7/8	1-7/16 1-35/64	15/16 1-1/16	7-31/64 8-7/32	9-1/2 10-3/4	5-1/2 6	4-21/64 4-45/64	1/4 5/16

NOTE: All sizes use a 1/8-27 NPT hydraulic grease fitting

S-2000 FEATURES/BENEFITS PAGE 2	S-2000 HOW TO ORDER PAGE 5	S-2000 NOMENCLATURE PAGE 6	S-2000 SELECTION PAGE 7
------------------------------------	-------------------------------	-------------------------------	----------------------------