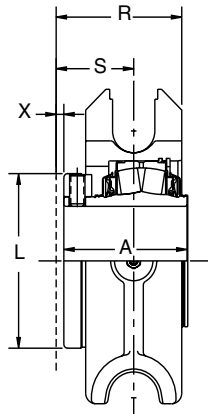
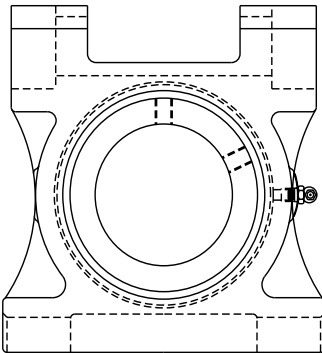


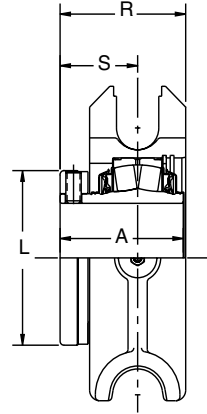
DIMENSIONS

TP Take-Up



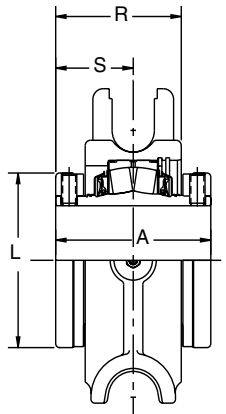
1-15/16" THRU 3-15/16"
CONSTRUCTION

EXPANSION



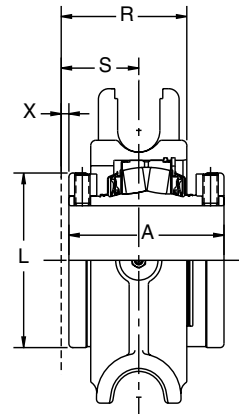
1-15/16" THRU 3-15/16"
CONSTRUCTION

NON-EXPANSION



4-7/16" THRU 4-15/16"
CONSTRUCTION

NON-EXPANSION



4-7/16" THRU 4-15/16"
CONSTRUCTION

EXPANSION



DIMENSIONS

TP Take-Up

Bearing	Shaft Size Inch	TRIDENT Seal			
		Non-Expansion		Expansion	
		Part Number	Part Name	Part Number	Part Name
22210	1-15/16	070811	TPHU-S2-115R	070829	TPHU-S2-115RE
	2	070812	TPHU-S2-200R	070830	TPHU-S2-200RE
22211	2-3/16	070813	TPHU-S2-203R	070831	TPHU-S2-203RE
22213	2-7/16	070815	TPHU-S2-207R	070833	TPHU-S2-207RE
22215	2-11/16	070817	TPHU-S2-211R	070835	TPHU-S2-211RE
	2-15/16	070818	TPHU-S2-215R	070836	TPHU-S2-215RE
	3	070819	TPHU-S2-300R	070837	TPHU-S2-300RE
22218	3-7/16	070821	TPHU-S2-307R	070839	TPHU-S2-307RE
22220	3-15/16	070823	TPHU-S2-315R	070841	TPHU-S2-315RE
22222	4-7/16	070825	TPHU-S2-407R	070843	TPHU-S2-407RE
22226	4-15/16	070827	TPHU-S2-415R	070845	TPHU-S2-415RE

SHAFT SIZE	A	L	R	S	X
1-15/16 2	2-27/32	3-7/16	3-3/16	2	1/4
2-3/16	2-15/16	3-3/4	3-25/64	2-1/64	1/4
2-7/16	3-13/64	4-1/16	3-17/32	2-5/32	1/4
2-11/16 2-15/16 3	3-19/32	4-45/64	3-53/64	2-29/64	1/4
3-7/16	4	5-1/2	4-5/64	2-35/64	1/4
3-15/16	4-15/32	6	4-33/64	2-61/64	5/16
4-7/16	6-17/32	6-29/64	5-29/64	3-29/64	3/8
4-15/16	6-29/32	7-29/64	5-7/8	3-21/32	3/8

NOTE: All sizes use a 1/8-27 NPT hydraulic grease fitting

S-2000 FEATURES/BENEFITS PAGE 2	S-2000 HOW TO ORDER PAGE 5	S-2000 NOMENCLATURE PAGE 6	S-2000 SELECTION PAGE 7
------------------------------------	-------------------------------	-------------------------------	----------------------------