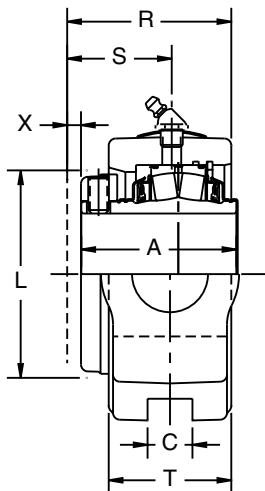
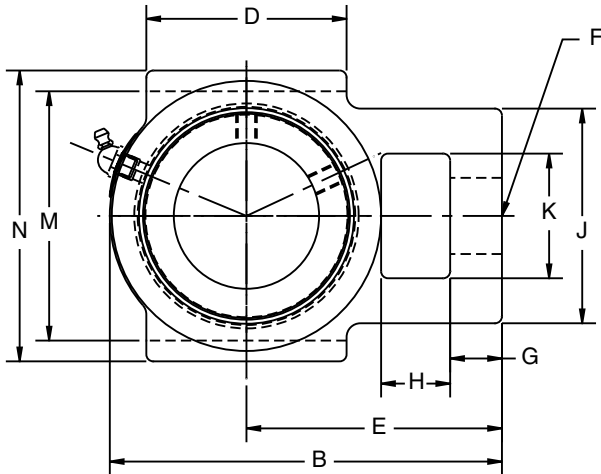


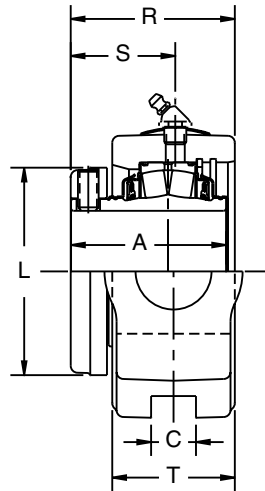
DIMENSIONS

S-2000 Wide Slot Take-Up

1-3/8 THRU 2-3/16 INCH



EXPANSION



NON-EXPANSION

NOTE: See page 28 for 2-7/16 thru 4-15/16 inch

S-2000 FEATURES/BENEFITS PAGE 2	S-2000 HOW TO ORDER PAGE 5	S-2000 NOMENCLATURE PAGE 6	S-2000 SELECTION PAGE 7
------------------------------------	-------------------------------	-------------------------------	----------------------------



DIMENSIONS

S-2000 Wide Slot Take-Up 1-3/8 THRU 2-3/16 INCH

Bearing	Shaft Size Inch	TRIDENT Seal			
		Non-Expansion		Expansion	
		Part No.	Part Name	Part No.	Part Name
22208	1-3/8	070752	WSTU-S2-106R	070779	WSTU-S2-106RE
	1-7/16	070753	WSTU-S2-107R	070780	WSTU-S2-107RE
	1-1/2	070754	WSTU-S2-108R	070781	WSTU-S2-108RE
22209	1-11/16	070756	WSTU-S2-111R	070783	WSTU-S2-111RE
	1-3/4	070757	WSTU-S2-112R	070784	WSTU-S2-112RE
22210	1-15/16	070758	WSTU-S2-115R	070785	WSTU-S2-115RE
	2	070759	WSTU-S2-200R	070786	WSTU-S2-200RE
22211	2-3/16	070760	WSTU-S2-203R	070787	WSTU-S2-203RE

SHAFT SIZE	A	B	C	D	E	F	G	H	J	K	L	M
1-3/8 1-7/16 1-1/2												
1-11/16 1-3/4	2-17/32	5-1/16	17/32	2-3/4	3-3/16	7/8	11/16	5/8	2-7/16	1-7/16	2-3/4	3-1/2
1-15/16 2	2-43/64	5-15/16	11/16	3-1/8	3-13/16	1-1/8	15/16	3/4	3-5/16	1-15/16	3-3/16	4
2-3/16	2-27/32	6-3/16	11/16	3-5/8	3-15/16	1-1/8	15/16	3/4	3-5/16	1-15/16	3-7/16	4
	2-15/16	7-1/16	13/16	3-5/8	4-5/8	1-3/8	15/16	1-1/4	3-7/8	2-1/4	3-3/4	4-1/2

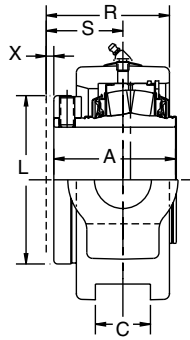
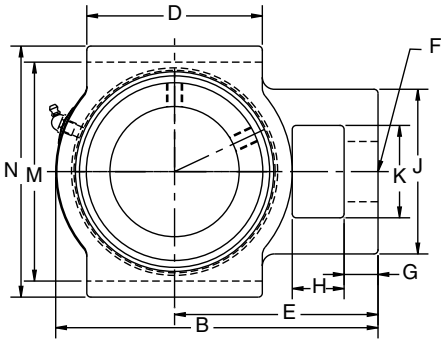
SHAFT SIZE	N	R	S	T	X TOTAL EXP
1-3/8 1-7/16 1-1/2					
1-11/16 1-3/4	4-1/8	2-47/64	1-45/64	2-1/16	3/16
1-15/16 2	4-3/4	2-53/64	1-13/16	2-1/32	1/4
2-3/16	4-3/4	2-15/16	1-15/16	2	1/4
	5-1/4	3-3/32	1-63/64	2-7/32	1/4

NOTE: All sizes use a 1/8-27 NPT hydraulic grease fitting

S-2000 FEATURES/BENEFITS PAGE 2	S-2000 HOW TO ORDER PAGE 5	S-2000 NOMENCLATURE PAGE 6	S-2000 SELECTION PAGE 7
------------------------------------	-------------------------------	-------------------------------	----------------------------

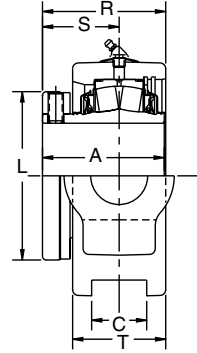
DIMENSIONS

S-2000 Wide Slot Take-Up 2-7/16 THRU 4-15/16 INCH



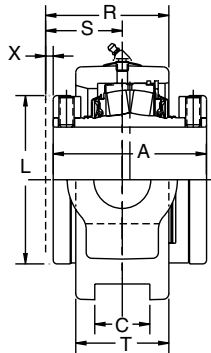
1-3/8" THRU 3-15/16"
CONSTRUCTION

EXPANSION



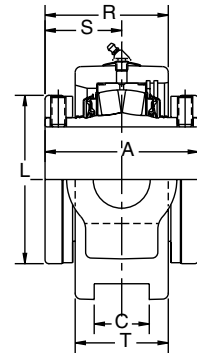
1-3/8" THRU 3-15/16"
CONSTRUCTION

NON-EXPANSION



4-7/16" THRU 4-15/16"
CONSTRUCTION

EXPANSION



4-7/16" THRU 4-15/16"
CONSTRUCTION

NON-EXPANSION

NOTE: See page 26 for 1-3/8 thru 2-3/16 inch

S-2000 FEATURES/BENEFITS PAGE 2	S-2000 HOW TO ORDER PAGE 5	S-2000 NOMENCLATURE PAGE 6	S-2000 SELECTION PAGE 7
------------------------------------	-------------------------------	-------------------------------	----------------------------



DIMENSIONS

S-2000 Wide Slot Take-Up 2-7/16 THRU 4-15/16 INCH

Bearing	Shaft Size Inch	TRIDENT Seal			
		Non-Expansion		Expansion	
		Part Number	Part Name	Part Number	Part Name
22213	2-7/16	070762	WSTU-S2-207R	070789	WSTU-S2-207RE
22215	2-11/16	070764	WSTU-S2-211R	070791	WSTU-S2-211RE
	2-15/16	070765	WSTU-S2-215R	070792	WSTU-S2-215RE
	3	070766	WSTU-S2-300R	070793	WSTU-S2-300RE
22218	3-7/16	070768	WSTU-S2-307R	070795	WSTU-S2-307RE
22220	3-15/16	070770	WSTU-S2-315R	070797	WSTU-S2-315RE
22222	4-7/16	070772	WSTU-S2-407R	070799	WSTU-S2-407RE
22226	4-15/16	070774	WSTU-S2-415R	070801	WSTU-S2-415RE

SHAFT SIZE	A	B	C	D	E	F	G	H	J	K	L	M
2-7/16	3-13/64	7-11/16	1-1/16	4-3/8	5	1-3/8	1-1/16	1-1/4	4-1/4	2-1/2	4-1/16	5-1/8
2-11/16	3-19/32	8-7/8	1-13/16	4-1/2	5-3/4	1-5/8	1-1/8	1-1/2	4-7/8	2-3/4	4-45/64	5-15/16
2-15/16 3												
3-7/16	4	10-1/16	1-13/16	5-1/2	6-3/8	1-7/8	1-1/16	1-5/8	5-1/8	2-7/8	5-1/2	6-13/16
3-15/16	4-15/32	12-9/16	2-1/16	7	8-3/8	2-1/8	2-1/16	2-1/8	6	3-3/8	6	8-5/8
4-7/16	6-17/32	13-3/8	2-1/16	7	8-3/4	2-1/8	2	2-1/8	6-3/8	3-3/8	6-29/64	9-1/2
4-15/16	6-29/32	15-5/8	2-1/16	9	10-5/16	2-3/8	2-1/2	2-1/2	7	3-3/4	7-29/64	10-1/4

SHAFT SIZE	N	R	S	T	X TOTAL EXP
2-7/16	5-7/8	3-13/64	2	2-7/16	1/4
2-11/16	6-11/16	3-3/4	2-13/32	2-11/16	1/4
2-15/16 3					
3-7/16	7-13/16	4-3/64	2-33/64	3-1/16	1/4
3-15/16	9-7/16	4-37/64	2-55/64	3-7/16	5/16
4-7/16	10-3/8	5-11/32	3-15/32	3-3/4	3/8
4-15/16	11-1/4	5-47/64	3-41/64	4-3/16	3/8

NOTE: All sizes use a 1/8-27 NPT hydraulic grease fitting

S-2000 FEATURES/BENEFITS PAGE 2	S-2000 HOW TO ORDER PAGE 5	S-2000 NOMENCLATURE PAGE 6	S-2000 SELECTION PAGE 7
------------------------------------	-------------------------------	-------------------------------	----------------------------