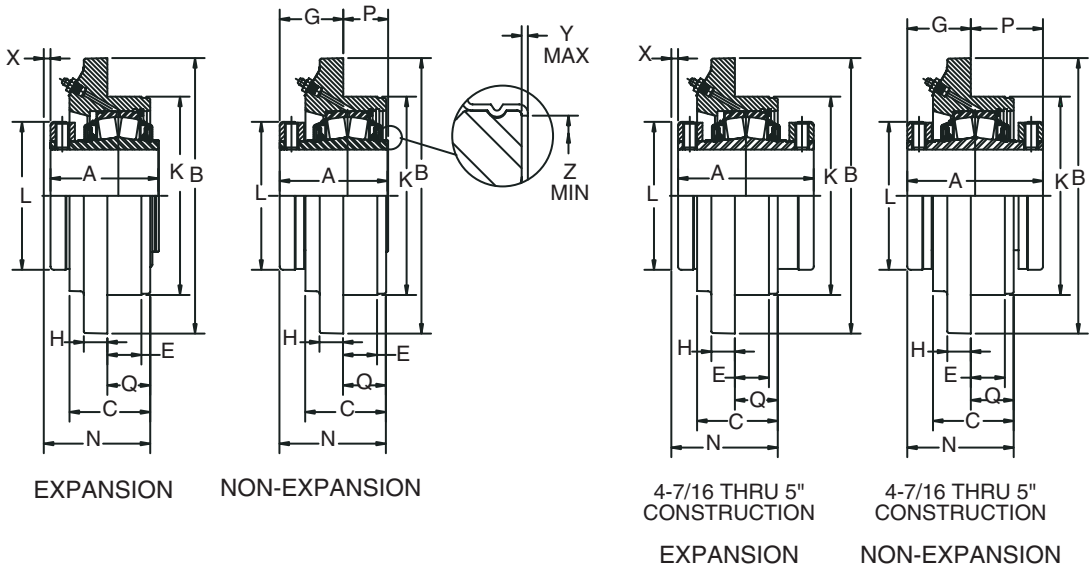
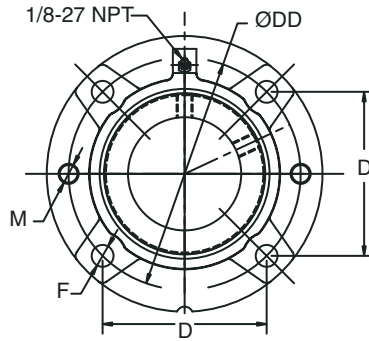


DIMENSIONS



S-2000 Piloted Flange with Type E Dimensions



FEATURES/BENEFITS
PAGE B8-3

NOMENCLATURE
PAGE B8-7

SELECTION
PAGE B8-9

INTERCHANGE CHARTS
PAGE B8-46



S-2000 Piloted Flange with Type E Dimensions

Bearing Series	Shaft Size*	TRIDENT SEAL				Labyrinth Seal			
		Non Expansion		Expansion		Non Expansion		Expansion	
		Part No.	Part Name	Part No.	Part Name	Part No.	Part Name	Part No.	Part Name
22208	1-3/8	070644	FC-S2-106R	070671	FC-S2-106RE	070698	FC-S2-106L	070725	FC-S2-106LE
	1-7/16	070645	FC-S2-107R	070672	FC-S2-107RE	070699	FC-S2-107L	070726	FC-S2-107LE
22209	1-11/16	070648	FC-S2-111R	070675	FC-S2-111RE	070702	FC-S2-111L	070729	FC-S2-111LE
22210	1-15/16	070650	FC-S2-115R	070677	FC-S2-115RE	070704	FC-S2-115L	070731	FC-S2-115LE
	2	070651	FC-S2-200R	070678	FC-S2-200RE	070705	FC-S2-200L	070732	FC-S2-200LE
22211	2-3/16	070652	FC-S2-203R	070679	FC-S2-203RE	070706	FC-S2-203L	070733	FC-S2-203LE
22213	2-7/16	070654	FC-S2-207R	070681	FC-S2-207RE	070708	FC-S2-207L	070735	FC-S2-207LE
22215	2-11/16	070656	FC-S2-211R	070683	FC-S2-211RE	070710	FC-S2-211L	070737	FC-S2-211LE
	2-15/16	070657	FC-S2-215R	070684	FC-S2-215RE	070711	FC-S2-215L	070738	FC-S2-215LE
	3	070658	FC-S2-300R	070685	FC-S2-300RE	070712	FC-S2-300L	070739	FC-S2-300LE
22218	3-7/16	070660	FC-S2-307R	070687	FC-S2-307RE	070714	FC-S2-307L	070741	FC-S2-307LE
22220	3-15/16	070662	FC-S2-315R	070689	FC-S2-315RE	070716	FC-S2-315L	070743	FC-S2-315LE
22222	4-7/16	071521	EFC-S2-407R	071523	EFC-S2-407RE	071525	EFC-S2-407L	071527	EFC-S2-407LE
22226	4-15/16	071522	EFC-S2-415R	071524	EFC-S2-415RE	071526	EFC-S2-415L	071528	EFC-S2-415LE

SHAFT SIZE	A	B #	C #	D	DD	E #	F BOLT DIA.	G	H #	K ##	L	M	N	P	Q #	X TOTAL EXP.	Y	Z	SET SCREW SIZE	S/S TORQUE IN/LBS
1-3/8	2.53	5.25	1.84	3.09	4.375	0.75	3/8	1.31	0.50	3.625	2.55	3/8-16	2.53	1.22	1.22	0.19	0.020	1.80	5/16	165
1-7/16	2.67	6.13	1.91	3.63	5.125	0.88	7/16	1.45	0.50	4.250	3.01	7/16-14	2.72	1.22	1.26	0.25	0.020	2.08	5/16	165
1-11/16	2.84	6.38	2.00	3.80	5.375	0.88	7/16	1.59	0.56	4.500	3.26	7/16-14	2.86	1.25	1.26	0.25	0.020	2.30	3/8	290
2-3/16	2.94	7.13	2.19	4.25	6.000	1.00	1/2	1.56	0.56	5.000	3.50	1/2-13	2.98	1.38	1.42	0.25	0.025	2.59	3/8	290
2-7/16	3.20	7.63	2.50	4.59	6.500	1.00	1/2	1.64	0.63	5.500	3.86	1/2-13	3.20	1.56	1.56	0.25	0.025	2.94	3/8	290
2-11/16	3.59	8.75	2.63	5.30	7.500	1.25	5/8	2.03	0.75	6.375	4.61	5/8-11	3.64	1.56	1.63	0.25	0.025	3.47	1/2	620
3	4.01	10.25	3.00	6.09	8.625	1.26	3/4	2.36	0.94	7.375	5.50	3/4-10	3.88	1.65	1.52	0.25	0.025	4.05	1/2	620
3-15/16	4.47	10.88	3.50	6.63	9.375	1.47	3/4	2.66	1.13	8.125	6.00	3/4-10	4.56	1.81	1.91	0.31	0.025	4.50	5/8	1325
4-7/16	6.53	13.50	4.58	5.88	11.750	1.45	3/4 **	3.00	0.94	10.250	6.45	3/4-10	5.63	3.53	2.63	0.38	N/A	N/A	5/8	1325
4-15/16	6.91	14.75	4.88	6.38	12.750	1.70	7/8 **	2.97	1.25	11.000	7.45	7/8-9	5.95	3.94	3.01	0.38	N/A	N/A	5/8	1325

- +0.000 NOTE(S): "P" AND "G" DIMENSIONS ARE FOR NON-EXPANSION ONLY

-0.002 "A" AND "P" DIMENSIONS DO NOT INCLUDE "Y" DIMENSION

- REFERENCE DIMENSION ONLY

FEATURES/BENEFITS PAGE B8-3	NOMENCLATURE PAGE B8-7	SELECTION PAGE B8-9	INTERCHANGE CHARTS PAGE B8-46
--------------------------------	---------------------------	------------------------	----------------------------------