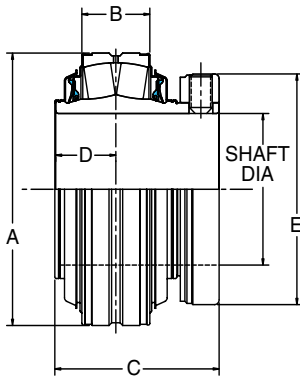


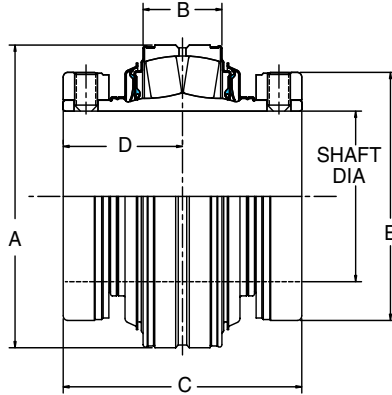
DIMENSIONS

S-2000 Bearing Insert

TRIDENT SEAL

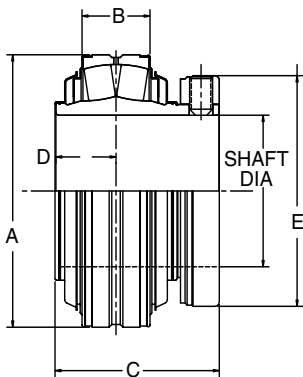


1-3/8 THRU 3-15/16" CONSTRUCTION

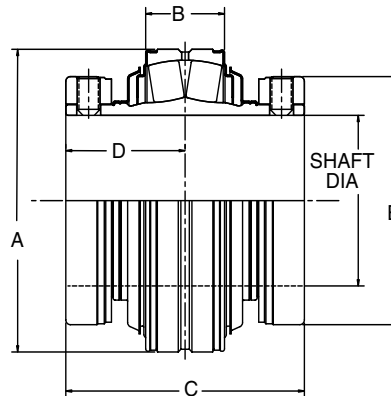


4-7/16 THRU 4-15/16" CONSTRUCTION

LABYRINTH SEAL



1-3/8 THRU 3-15/16" CONSTRUCTION



4-7/16 THRU 4-15/16" CONSTRUCTION

| | | | |
|------------------------------------|-------------------------------|-------------------------------|----------------------------|
| S-2000 FEATURES/BENEFITS PAGE 2 | S-2000 HOW TO ORDER PAGE 5 | S-2000 NOMENCLATURE PAGE 6 | S-2000 SELECTION PAGE 7 |
|------------------------------------|-------------------------------|-------------------------------|----------------------------|



DIMENSIONS

S-2000 Bearing Insert

Part Number - 1-3/8 thru 4-15/16 Inch

| SHAFT SIZE | TRIDENT SEAL | | LABYRINTH SEAL | |
|------------|---------------|-------------|----------------|-------------|
| | PART NUMBER | PART NAME | PART NUMBER | PART NAME |
| 1-3/8 | 070000 | INS-S2-106R | 070016 | INS-S2-106L |
| 1-7/16 | 070001 | INS-S2-107R | 070017 | INS-S2-107L |
| 1-1/2 | 070002 | INS-S2-108R | 070018 | INS-S2-108L |
| 1-11/16 | 070003 | INS-S2-111R | 070019 | INS-S2-111L |
| 1-3/4 | 070004 | INS-S2-112R | 070020 | INS-S2-112L |
| 1-15/16 | 070005 | INS-S2-115R | 070021 | INS-S2-115L |
| 2 | 070006 | INS-S2-200R | 070022 | INS-S2-200L |
| 2-3/16 | 070007 | INS-S2-203R | 070023 | INS-S2-203L |
| 2-7/16 | 070008 | INS-S2-207R | 070024 | INS-S2-207L |
| 2-11/16 | 070009 | INS-S2-211R | 070025 | INS-S2-211L |
| 2-15/16 | 070010 | INS-S2-212R | 070026 | INS-S2-212L |
| 3 | 070011 | INS-S2-300R | 070027 | INS-S2-300L |
| 3-7/16 | 070012 | INS-S2-307R | 070028 | INS-S2-307L |
| 3-15/16 | 070013 | INS-S2-315R | 070029 | INS-S2-315L |
| 4-7/16 | 070014 | INS-S2-407R | 070030 | INS-S2-407L |
| 4-15/16 | 070015 | INS-S2-415R | 070031 | INS-S2-415L |

| SHAFT SIZE | A | B | C | D | E |
|------------|-------|---------|---------|-------|---------|
| 1-3/8 | | | | | |
| 1-7/16 | 3.150 | 61/64 | 2-17/32 | 0.970 | 2-21/32 |
| 1-1/2 | | | | | |
| 1-11/16 | 3.346 | 61/64 | 2-21/32 | 0.954 | 3-3/32 |
| 1-3/4 | | | | | |
| 1-15/16 | 3.543 | 61/64 | 2-27/32 | 0.977 | 3-11/32 |
| 2 | | | | | |
| 2-3/16 | 3.937 | 1-3/64 | 2-15/16 | 1.050 | 3-21/32 |
| 2-7/16 | 4.724 | 1-9/32 | 3-13/64 | 1.208 | 3-31/32 |
| 2-11/16 | | | | | |
| 2-15/16 | 5.118 | 1-9/32 | 3-19/32 | 1.219 | 4-5/8 |
| 3 | | | | | |
| 3-7/16 | 6.299 | 1-5/8 | 4 | 1.483 | 5-1/2 |
| 3-15/16 | 7.087 | 1-7/8 | 4-31/64 | 1.646 | 6 |
| 4-7/16 | 7.874 | 2-5/32 | 6-17/32 | 3.266 | 6-29/64 |
| 4-15/16 | 9.055 | 2-19/32 | 6-29/32 | 3.453 | 7-29/64 |

| | | | |
|------------------------------------|-------------------------------|-------------------------------|----------------------------|
| S-2000 FEATURES/BENEFITS PAGE 2 | S-2000 HOW TO ORDER PAGE 5 | S-2000 NOMENCLATURE PAGE 6 | S-2000 SELECTION PAGE 7 |
|------------------------------------|-------------------------------|-------------------------------|----------------------------|