

H-MOSS® Controls Passive Infrared Wall Switches

Features

- Smart Motion Activated Nightlight to provide illumination when the lights are OFF
- Independent Timers for the Nightlight and Lighting Load
- No Neutral Required
- Matching wallplate included

Ordering Information

| Description | Color | UPC Number | Catalog Number |
|--|-------|--------------|----------------|
| Wall Switch Sensor with Smart Nightlight | Gray | 783585427911 | WS2001NSGY |

Listings

cULus Listed
ASHRAE 90.1
CEC Title 24 Certified

Specifications

| | |
|-----------------|--|
| Housing | Flame retardant UL 94 V-0 ABS |
| Lens | Impact-resistant polyethylene |
| Dimensions | Face 2.59"H x 1.30"W, 0.61"D (from wall out) |
| Mounting Height | 42 to 54 inches above floor |
| Sensing | Passive Infrared |

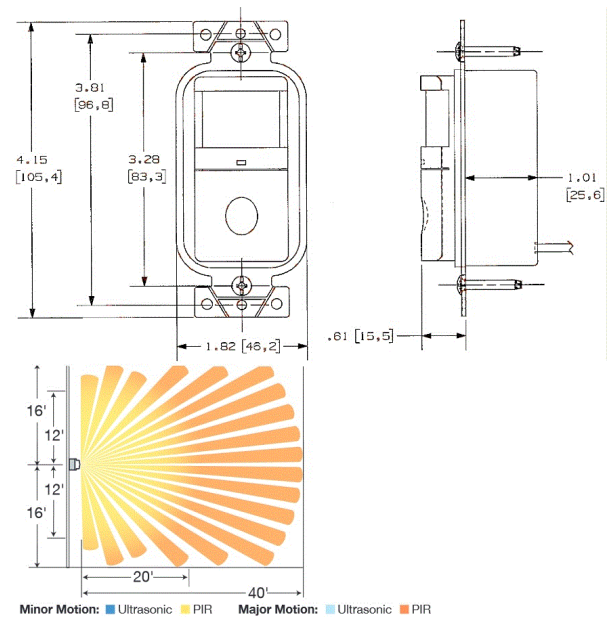
Performance

| | |
|--------------------|--|
| Controls | |
| Front Press Switch | On/Off Button |
| Timer Time Outs | Manual 30 seconds to 30 minutes, Independent Timers for Nightlight & Lighting Load |

| | |
|-------------------|---|
| Electrical | |
| Ratings | 120V AC, 60Hz; Load Capacity 0 to 1000 watts, 277V AC, 60Hz, 6.5A, Ballast/Driver |

| | |
|-----------------------|--|
| Environmental | |
| Operating Temperature | Indoor Use Only, 32°F to 122°F (0°C to 50°C) with rate of change not exceeding 20°F (11°C) per hour; 20% to 90% non-condensing relative humidity |

HUBBELL



Complementary Products

| | |
|-------------------|-------|
| SS Wallplate | SS26 |
| Snap-On Wallplate | RCW1W |

Online Resources

Customer Use Drawing
eCatalog
Installation Instructions

Dimensions in Inches (mm)

Hubbell Wiring Device-Kellems • Hubbell Incorporated (Delaware) • 40 Waterview Drive • Shelton, CT 06484

Phone (800) 288-6000 • Fax (800) 255-1031 • Specifications subject to change without notice.

