

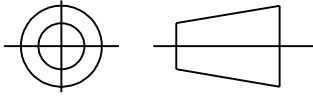
RBC PROPRIETARY AND CONFIDENTIAL INFORMATION

This document is the property of REGAL BELOIT CORPORATION ("RBC") including its subsidiaries and divisions and contains proprietary information of RBC. This document is loaned on the express condition that neither it nor the information contained therein shall be disclosed to others without the express written consent of RBC, and that the information shall be used by the recipient only as approved expressly by RBC. This document shall be returned to RBC upon its request. This document may be subject to certain restrictions under U.S. export control laws and regulations.

REVISIONS

REV.	DESCRIPTION	DATE	APPROVED
3	CUST .HOLES WERE 0.380/0.365 T195-21666	02/24/95	M.D. PAPE
4	ADDED PART #6	01/28/05	DURGA
5	ADDED PE EXTENSION	02/01/06	PMB

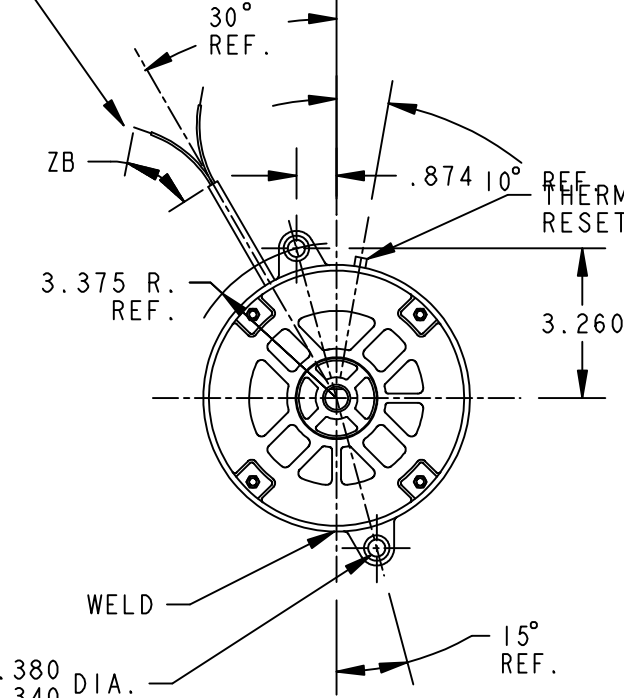
THIRD ANGLE PROJECTION



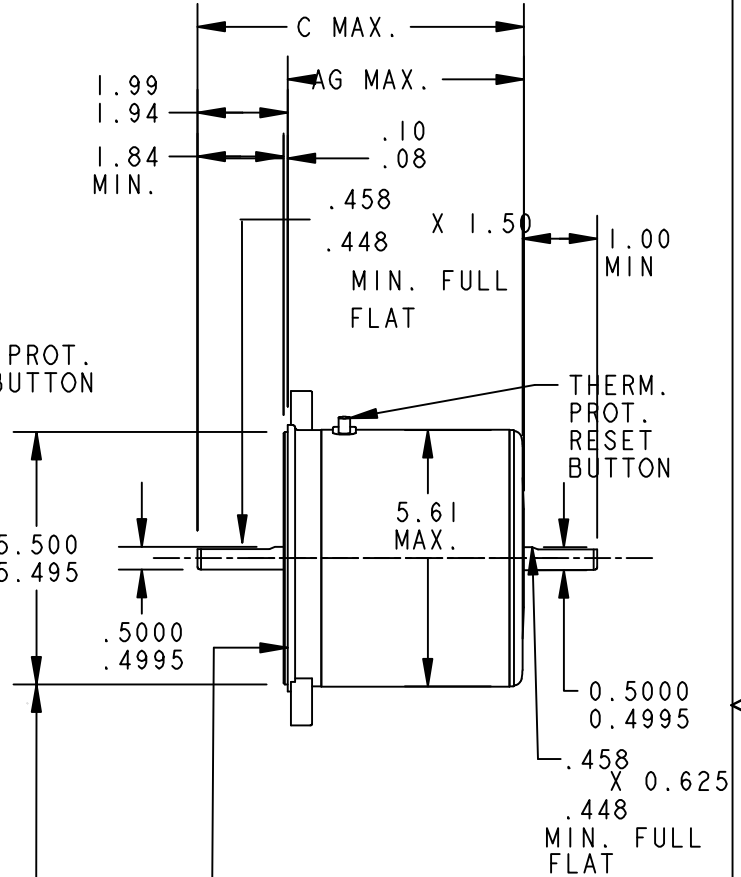
52A107152

SIZE DRAWING NO. A

#18 SO CORD "ZA" LONG
W/2 LEADS W/"ZC" B.W.S.




(2 HOLES). THESE HOLES FIT A GAGE HAVING A RABBET 5.5005 DIA. AND 2 PINS .3309 DIA. LOCATED ON THE BASIC HOLE POSITIONS.



FACE RUNOUT (WITH INDICATOR MOUNTED STATIONARY RELATIVE TO SHAFT) MUST NOT EXCEED .006 T.I.R.

ECCENTRICITY OF THIS SURFACE (WITH INDICATOR MOUNTED STATIONARY RELATIVE TO SHAFT) MUST NOT EXCEED .006 T.I.R.

I	39	KH	48M	5.49	7.50	11.50/9.50	4.25/3.75	0.69/0.57	4.43
P	GE SIZE	TYPE	NEMA FR	AG	C	ZA	ZB	ZC	SHELL REF.

FOR ADDITIONAL INFO REFER TO:		SIGNATURES	DATE	REGAL-BELOIT CORPORATION	
APPLIED PRACTICES		MODEL			
DIMENSIONS ARE IN INCHES		DETAIL			
TOLERANCE ON:		CHECKED			
1 PL DECIMALS ± 0.1		ENGRG			
2 PL DECIMALS ± 0.01		MFG			
3 PL DECIMALS ± 0.005		QUALITY		TITLE	
ANGLES ± 0.5		ISSUED		SIZE DRAWING	
FRACTIONS ±				A	
FINISH	✓	SOLID MODEL: MODEL NAME		SK06A40107	
MATERIAL				SCALE: DRAWING SCALE	
				SHEET 1 of 1	