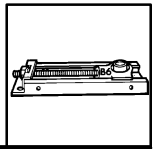
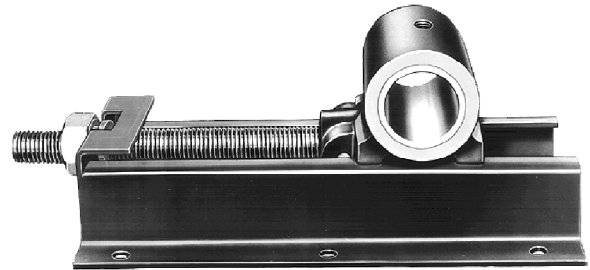
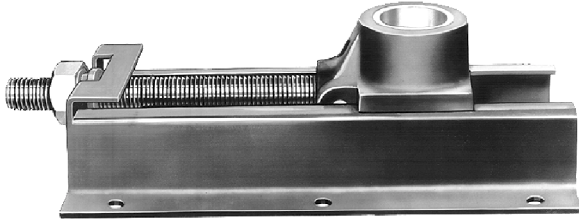


# SELECTION/DIMENSIONS



## Take-Up Frames—Type A & B



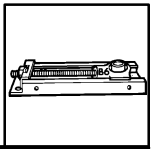
### TYPE A TAKE-UP FRAMES

### TYPE B TAKE-UP FRAMES

Shaft Size x Travel	Type A Take-Up Bearing			Take-Up Frame		
	Part Number	Description	Wt.	Part Number	Description	Wt.
15/16x 5 1 x 5 1-3/15x 5 1-1/4x 5	<b>036180</b> <b>036181</b> <b>036182</b> <b>036183</b>	TUA-015-TUBRG TUA-100-TUBRG TUA-103-TUBRG TUA-104-TUBRG	2.6 2.5 2.3 2.2	<b>223015</b>	ABX5-TUFR	4.0
1-7/16x 6 1-7/16 x12	<b>036184</b>	TUA-107-TUBRG	3.5	<b>223016</b> <b>223018</b>	ABX6-TUFR ABX12-TUFR	7.5 10.5
1-11/16x 6 1-11/16x12	<b>036185</b>	TUA-111-TUBRG	4.1	<b>223016</b> <b>223018</b>	ABX6-TUFR ABX12-TUFR	7.5 10.5
1-15/16x 9 1-15/16x18	<b>036186</b>	TUA-115-TUBRG	6.7	<b>223017</b> <b>223019</b>	ABX9-TUFR ABX18-TUFR	15.5 23.2
2-3/16x 9 2-3/16x18	<b>036187</b>	TUA-203-TUBRG	10.1	<b>223017</b> <b>223019</b>	ABX9-TUFR ABX18-TUFR	15.5 23.2
2-7/16x 9 2-7/16x18	<b>036188</b>	TUA-207-TUBRG	8.8	<b>223017</b> <b>223019</b>	ABX9-TUFR ABX18-TUFR	15.5 23.2

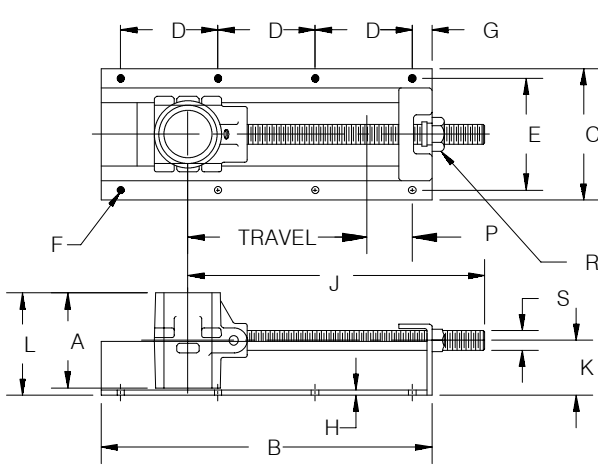
Shaft Size x Travel	Type B Take-Up Bearing			Take-Up Frame		
	Part Number	Description	Wt.	Part Number	Description	Wt.
15/16x 5 1 x 5 1-3/15x 5 1-1/4x 5	<b>036270</b> <b>036193</b> <b>036194</b> <b>036274</b>	TUB-015-TUBRG TUB-100-TUBRG TUB-103-TUBRG TUB-104-TUBRG	3.6 3.5 3.3 3.2	<b>223015</b>	ABX5-TUFR	4.0
1-7/16x 6 1-7/16 x12	<b>036196</b>	TUB-107-TUBRG	4.7	<b>223016</b> <b>223018</b>	ABX6-TUFR ABX12-TUFR	7.5 10.5
1-11/16x 6 1-11/16x12	<b>036197</b>	TUB-111-TUBRG	5.4	<b>223016</b> <b>223018</b>	ABX6-TUFR ABX12-TUFR	7.5 10.5
1-15/16x 9 1-15/16x18	<b>036198</b>	TUB-115-TUBRG	8.6	<b>223017</b> <b>223019</b>	ABX9-TUFR ABX18-TUFR	15.5 23.2
2-3/16x 9 2-3/16x18	<b>036199</b>	TUB-203-TUBRG	12.7	<b>223017</b> <b>223019</b>	ABX9-TUFR ABX18-TUFR	15.5 23.2
2-7/16x 9 2-7/16x18	<b>036200</b>	TUB-207-TUBRG	11.4	<b>223017</b> <b>223019</b>	ABX9-TUFR ABX18-TUFR	15.5 23.2

DIMENSIONS-TYPE A&B TAKE-UP FRAME PAGE B13-51	DIMENSIONS-TYPE A&B T.U. BRG. PAGE B13-48	DIMENSIONS-TYPE A&B T.U. FRAME PAGE B13-48	
---	---	--	--

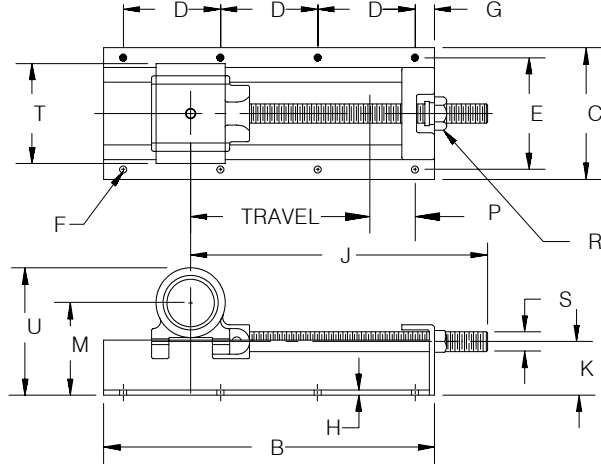


# SELECTION/DIMENSIONS

## Take-Up Frames—Type A & B



TYPE TUA



TYPE TUB

Shaft Size x Travel	A	B	C	D	E	F Bolt		G	H	J	K
						No.	Dia.				
15/16 x 5 1 x 5 1-3/16 x 5 1- 1/4 x 5	2-5/8	9-3/4	4-3/4	3-1/2	4	6	5/16	1-3/8	1/8	8-3/4	1-5/8
1-7/16 x 6 1-7/16 x 12	3-1/8	12 18	5-3/4 5-3/4	5 5-1/4	4-3/4 4-3/4	6 8	3/3 3/8	1 1	3/16 3/16	10-1/2 16-1/2	2 2
1-11/16 x 6 1-11/16 x 12	3-3/8	12 18	5-3/4 5-3/4	5 5-1/4	4-3/4 4-3/4	6 8	3/8 3/8	1 1	3/16 3/16	10-1/2 16-1/2	2 2
1-15/16 x 9 1-15/16 x 18	4-1/8	17 26	6-3/4 6-3/4	5 6	5-3/4 5-3/4	8 10	3/8 3/8	1 1	1/4 1/4	14-1/2 23-1/2	2-3/4 2-3/4
2-3/16 x 9 2-3/16 x 18	4-7/8	17 26	6-3/4 6-3/4	5 6	5-3/4 5-3/4	8 10	3/8 3/8	1 1	1/4 1/4	14-1/2 23-1/2	2-3/4 2-3/4
2-7/16 x 9 2-7/16 x 18	4-7/8	17 26	6-3/4 6-3/4	5 6	5-3/4 5-3/4	8 10	3/8 3/8	1 1	1/4 1/4	14-1/2 23-1/2	2-3/4 2-3/4

Shaft Size x Travel	L	M	P	R Hex.	S	T	U	Grease Cup	
								Pipe Tap	Size
15/16 x 5 1 x 5 1-3/16 x 5 1-1/4 x 5	3	2-3/4	1-5/8	1-5/16	3/4	2-7/8	3-27/32	1/8	0
1-7/16 x 6 1-7/16 x 12	3-5/8	3-3/8 3-3/8	2-1/2 2-1/2	1-1/2	7/8	3-3/8	4-19/32	1/4	0
1-11/16 x 6 1-11/16 x 12	3-3/4	3-5/8 3-5/8	2-1/2 2-1/2	1-1/2	7/8	3-5/8	4-31/32	1/4	0
1-15/16 x 9 1-15/16 x 18	4-7/8	4-1/2 4-1/2	3-3/8 3-3/8	1-5/8	1	4-3/8	6-1/32	1/4	1
2-3/16 x 9 2-3/16 x 18	5-1/4	4-3/4 4-3/4	3-1/8 3-1/8	1-5/8	1	5-1/8	6-17/32	1/4	1
2-7/16 x 9 2-7/16 x 18	5-1/4	4-3/4 4-3/4	3-3/8 3-3/8						

FEATURES/BENEFITS PAGE B13-2	HOW TO ORDER/ NOMENCLATURE PAGE B13-6	SELECTION PAGE B13-47	
---------------------------------	---	--------------------------	--