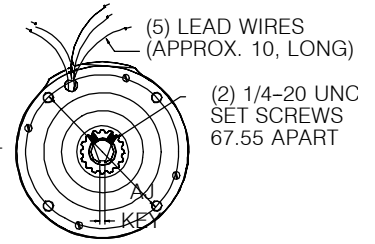
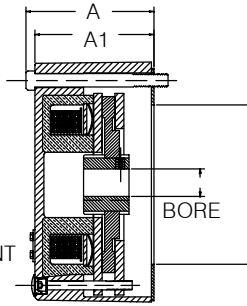
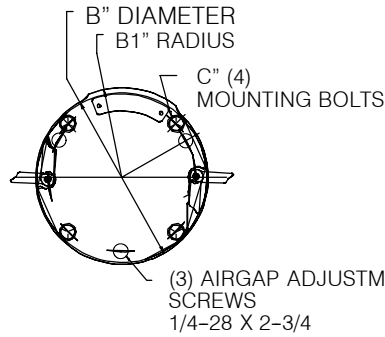
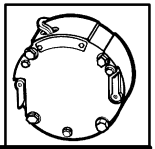
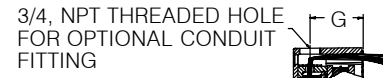
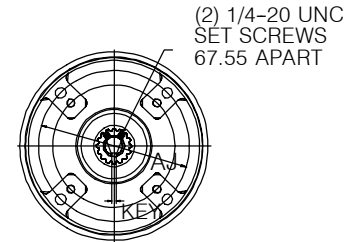
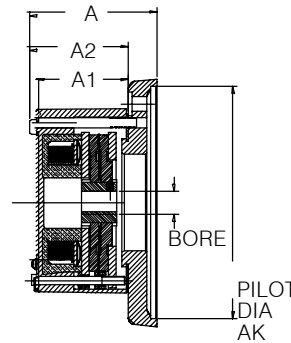
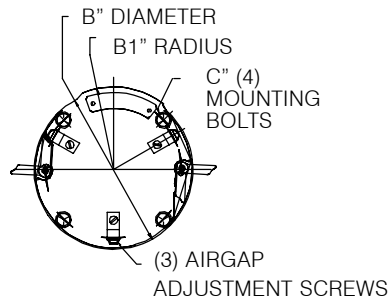
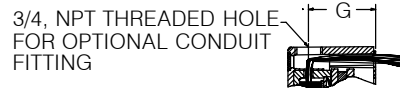


SELECTION/DIMENSIONS



DBSC Model



COMPLETE UNIT PART NUMBERS

Standard Enclosure		Unit Size-Static Torque					
		3 Ft-Lbs	6 Ft-Lbs	10 Ft-Lbs	15 Ft-Lbs	20 Ft-Lbs	25 Ft-Lbs
C-FACE (FAN END MOUNTING)	DBSC Complete Units 56 Frame, 5/8" Bore						
	115/230 VAC 60 Hz (1)	031351	031393	031435	031477	031507	031537
	230/460 VAC 60 HZ (2)	031353	031395	031437	031479	031509	031539
	287/575 VAC 60 Hz (3)	031355	031397	031439	031481	031511	031541
	104/208 VAC 60 Hz (4)	031000	031015	031030	031043	031058	031073
	190/380 VAC 50 Hz (5)	031001	031016	031031	031044	031059	031074
	250/500 VAC 50 Hz	031002	031017	031032	031045	031060	031075
	48 VDC	031003	031018	031033	031046	031061	031076
	24 VDC	031004	031019	031034	031047	031062	031077
	12 VDC	031005	031020	031035	031048	031063	031078
	DBSC Complete Units 140 Frame, 7/8" Bore						
	115/230 VAC 60 Hz (1)	031007	031022	031037	031050	031065	031080
	230/460 VAC 60 HZ (2)	031009	031024	031039	031052	031067	031082
	287/575 VAC 60 Hz (3)	031011	031026	031041	031054	031069	031084
	104/208 VAC 60 Hz (4)	031006	031021	031036	031049	031064	031079
	190/380 VAC 50 Hz (5)	031008	031023	031038	031051	031066	031081
	250/500 VAC 50 Hz	031010	031025	031040	031053	031068	031083
	48 VDC	031012	031027	031042	031055	031070	031085
	24 VDC	031013	031028	031160	031056	031071	031086
	12 VDC	031014	031029	031161	031057	031072	031087

FEATURES/BENEFITS PAGE PT2-2	SELECTION PAGE PT2-4	MODIFICATIONS/ACCESSORIES PAGE PT2-35	ENGINEERING/TECHNICAL PAGE PT2-39
---------------------------------	-------------------------	--	--------------------------------------