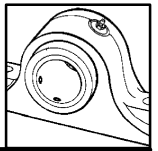
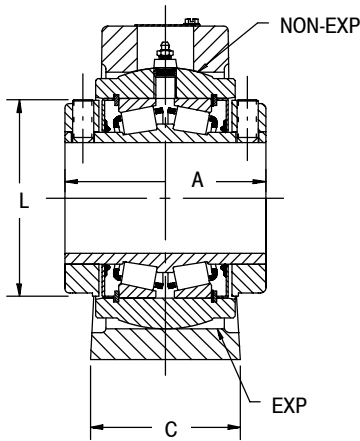
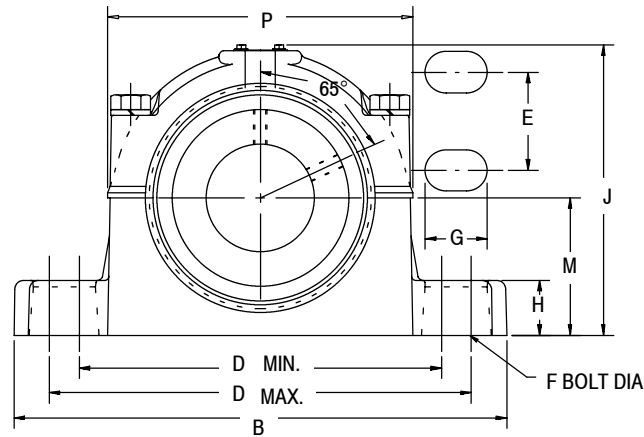


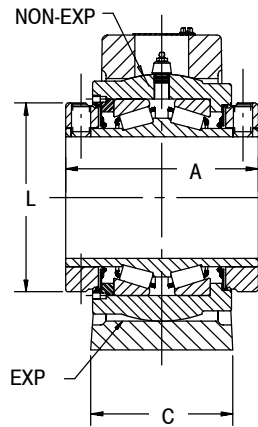
SELECTION/DIMENSIONS



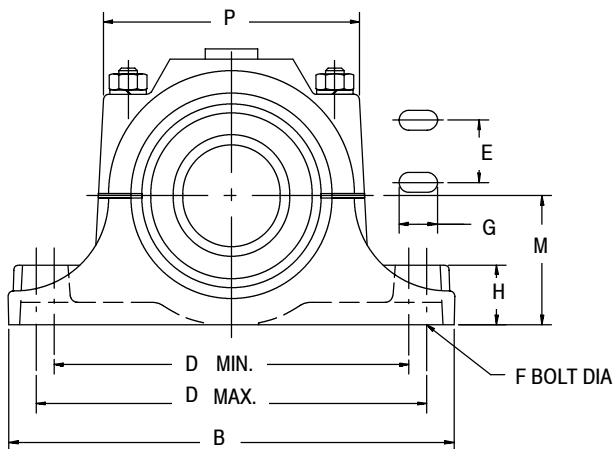
DOUBLE-INTERLOCK Pillow Block – Inch 4-BOLT BASE



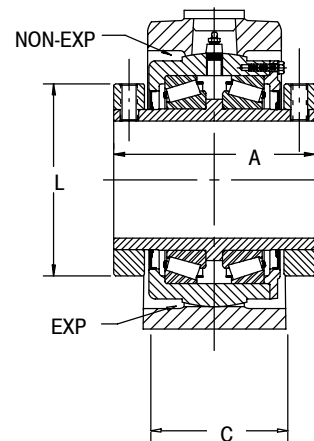
2-1/4" THRU 3" CONSTRUCTION



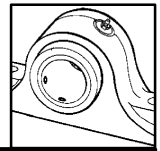
3-3/16" THRU 5" CONSTRUCTION



5-7/16" THRU 7" CONSTRUCTION



<p>NOMENCLATURE PAGE B5-10</p>	<p>SELECTION PAGE B5-11</p>	<p>EASY SELECTION PAGE B5-15</p>	<p>ENGINEERING/TECHNICAL PAGE B5-17</p>
------------------------------------	---------------------------------	--------------------------------------	---



SELECTION/DIMENSIONS

DOUBLE-INTERLOCK Pillow Block – Inch 4-BOLT BASE

GRAY IRON NON EXPANSION*					
SHAFT SIZE INCHES#	SHAFT SIZE SYMBOL	PILLOW BLOCK P/N	HSG ASSEM P/N	UNIT P/N	PIL. BLK. WT.,APRX LBS
2-7/16	207	023352	060745	023520	28
2-1/2	208	023353	060745	023521	28
2-11/16	211	023354	060747	023522	38
2-15/16	215	023356	060747	023524	38
3	300	023357	060747	023525	38
3-7/16	307	023360	060749	023528	69
3-1/2	308	023361	060749	023529	69
3-15/16	315	023362	060751	023530	109
4	400	023363	060751	023531	109
4-7/16	407	023364	060753	023532	139
4-1/2	408	023365	060753	023533	135
4-15/16	415	023366	060755	023534	183
5	500	023367	060755	023535	181
5-7/16	507	023368	060579	023536	310
5-15/16	515	023369	060579	023537	299

+ Furnished Unless Otherwise Specified
Description = P4b-di-207r For 2-7/16" Size
Consult DODGE For Sizes Not Listed.

GRAY IRON EXPANSION					
SHAFT SIZE INCHES#	SHAFT SIZE SYMBOL	PILLOW BLOCK P/N	HSG ASSEM P/N	UNIT P/N	PIL. BLK. WT.,APRX LBS
2-7/16	207	023399	060746	023520	28
2-1/2	208	023400	060746	023521	28
2-11/16	211	023401	060748	023522	38
2-15/16	215	023403	060748	023524	38
3	300	023404	060748	023525	38
3-7/16	307	023407	060750	023528	69
3-1/2	308	023408	060750	023529	69
3-15/16	315	023409	060752	023530	110
4	400	023410	060752	023531	110
4-7/16	407	023411	060754	023532	139
4-1/2	408	023412	060754	023533	135
4-15/16	415	023413	060756	023534	181
5	500	023414	060756	023535	179
5-7/16	507	023415	060578	023536	310
5-15/16	515	023416	060578	023537	299

Description = P4b-di-207re For 2-7/16" Size
Consult DODGE For Sizes Not Listed.

SHAFT SIZE INCHES	A	B	C	D		E	F BOLT DIA	G	H	J	L	M	P	EXP*
				MIN.	MAX									
2-7/16 2-1/2	4	12	3-3/8	9-17/64	10-1/4	1-3/4	1/2	1-1/16	1-3/4	7-1/32	4-1/16	3-1/4	7-3/8	9/32
2-11/16 2-15/16 3	4-1/2	13-7/16	3-3/4	9-7/8	11-1/2	1-7/8	5/8	1-9/16	2	7-7/8	4-23/32	3-3/4	8-5/16	9/32
3-7/16 3-1/2	5	16	4	12-13/16	13-13/16	2	3/4	1-29/64	2-1/4	9-7/16	5-17/32	4-1/2	10-3/32	9/32
3-15/16 4	6-1/4	17-7/16	4-15/32	13-1/8	14-3/4	2	3/4	1-45/64	2-3/4	10-5/16	6-1/8	5	10-45/64	11/32
4-7/16 4-1/2	6-3/4	19	4-5/8	14-3/8	16-1/4	2-1/4	3/4	1-13/16	3	11-9/16	6-7/16	5-3/4	12-29/64	11/32
4-15/16 5	7-1/4	20-1/2	5-1/8	15-1/2	18-1/16	2-1/2	7/8	2-9/32	3-1/4	12-23/32	7-7/16	6-1/4	13-29/64	11/32
5-7/16 5-15/16	9	23-11/16	6-1/4	19	20-5/8	3	1	1-15/16	3-1/2	14-29/64	9-3/8	7-1/8	15-1/8	1/2

*EXP - Total Expansion Divided Equally On Both Sides Of Bearing (Expansion Bearings Only)
Dowel Hole Locations For Precision Positioning – See Page B9-30 – B9-31

SELECTION/DIMENSIONS TYPE E PAGE B5-11/B5-22	SELECTION/DIMENSIONS TYPE K PAGE B5-11/B5-34	SELECTION/DIMENSIONS TAF PAGE B5-11/B5-52	
--	--	---	--