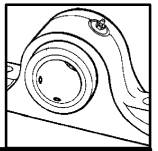
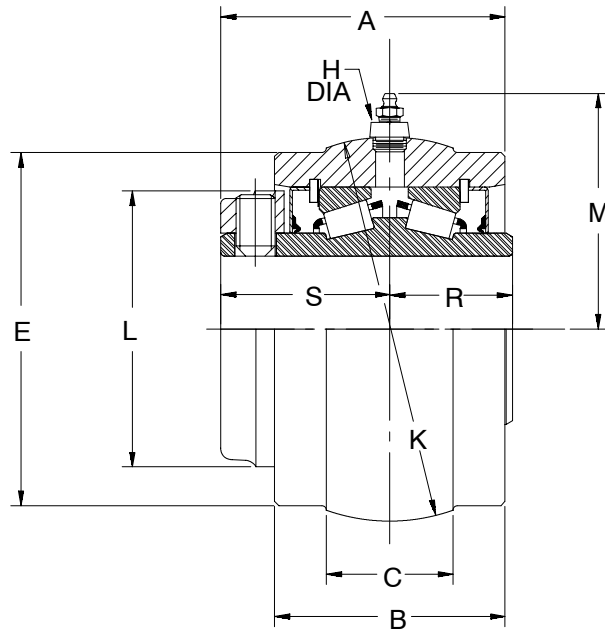


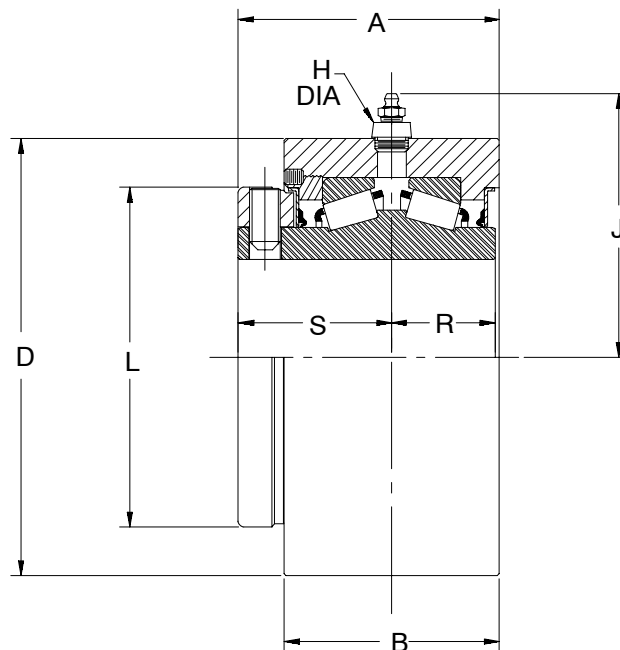
# SELECTION/DIMENSIONS



## Type K Units – Inch



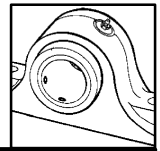
**S-1 UNIT**  
1-<sup>3</sup>/<sub>16</sub>" THRU 3" CONSTRUCTION



**B-1 UNIT**  
3-<sup>3</sup>/<sub>16</sub>" THRU 3-<sup>15</sup>/<sub>16</sub>" CONSTRUCTION

SPECIFICATIONS PAGE B5-7	HOW TO ORDER PAGE B5-8	NOMENCLATURE PAGE B5-10	SELECTION PAGE B5-11
-----------------------------	---------------------------	----------------------------	-------------------------

# SELECTION/DIMENSIONS



## Type K Units – Inch

TYPE S-1 UNITS -- GRAY IRON			
SHAFT SIZE INCHES #	PART NUMBER	PART NAME	WEIGHT LBS (APPROX)
1-3/16	023271	S1U-K-103R	3
1-1/4	023272+	S1U-K-104R	3
1-3/8	023273+	S1U-K-106R	4
1-7/16	023274	S1U-K-107R	4
1-1/2	023275	S1U-K-108R	5
1-5/8	023276+	S1U-K-110R	5
1-11/16	023277	S1U-K-111R	5
1-3/4	023278+	S1U-K-112R	7
1-15/16	023279	S1U-K-115R	7
2	023280	S1U-K-200R	7
2-3/16	023281	S1U-K-203R	9
2-1/4	023282+	S1U-K-204R	11
2-7/16	023283	S1U-K-207R	11
2-1/2	023284+	S1U-K-208R	11
2-11/16	023285+	S1U-K-211R	15
2-3/4	023286+	S1U-K-212R	15
2-15/16	023287	S1U-K-215R	15
3	023288	S1U-K-300R	15
3-3/16	023289+	S1U-K-303R	28
3-7/16	023290	S1U-K-307R	28
3-1/2	023291+	S1U-K-308R	28
3-15/16	023292	S1U-K-315R	40

TYPE B-1 UNITS -- GRAY IRON			
SHAFT SIZE INCHES #	PART NUMBER	PART NAME	WEIGHT LBS (APPROX)
1-3/16	-----	B1U-K-103R	3
1-1/4	-----	B1U-K-104R	3
1-3/8	023293+	B1U-K-106R	4
1-7/16	023294+	B1U-K-107R	4
1-1/2	023295+	B1U-K-108R	5
1-5/8	023296+	B1U-K-110R	5
1-11/16	023297+	B1U-K-111R	5
1-3/4	023298+	B1U-K-112R	7
1-15/16	023299+	B1U-K-115R	7
2	023300+	B1U-K-200R	7
2-3/16	023301+	B1U-K-203R	9
2-1/4	023302+	B1U-K-204R	11
2-7/16	023303+	B1U-K-207R	11
2-1/2	023304+	B1U-K-208R	11
2-11/16	023305+	B1U-K-211R	15
2-3/4	023306+	B1U-K-212R	15
2-15/16	023307+	B1U-K-215R	15
3	023308+	B1U-K-300R	15
3-3/16	023309+	B1U-K-303R	28
3-7/16	023310+	B1U-K-307R	28
3-1/2	023311+	B1U-K-308R	28
3-15/16	023312+	B1U-K-315R	40

# Consult DODGE For Sizes Not Listed.

+ Non-stock -- Consult DODGE For Delivery

# Consult DODGE For Sizes Not Listed.

+ Non-stock -- Consult DODGE For Delivery

SHAFT SIZE INCHES	A	B	C	D*	E %		H	J	K**	L	M	R	S
					MACHINE SIDE	CAST SIDE							
1-3/16 1-1/4	2-5/16	1-7/8	1-1/32	----	2.813	2.88	7/16	----	3.125	2-1/4	2-1/32	1	1-3/8
1-3/8 1-7/16	2-17/32	2-1/16	1-5/32	3-7/16	3.25	3.31	11/16	2-5/8	3.625	2-3/4	2-5/8	1-1/32	1-1/2
1-1/2 1-5/8 1-11/16	2-27/32	2-5/16	1-3/16	3-15/16	3.75	3.82	11/16	2-7/8	4.125	3-3/16	2-13/16	1-5/32	1-11/16
1-3/4 1-15/16 2	2-31/32	2-7/16	1-1/2	4-1/4	4.125	4.18	11/16	3	4.562	3-7/16	3-1/16	1-13/64	1-3/4
2-3/16 2-1/4 2-7/16 2-1/2	3-5/32	2-9/16	1-9/16	4-5/8	4.50	4.63	11/16	3-1/4	5.000	3-3/4	3-1/4	1-1/4	1-7/8
2-11/16 2-3/4 2-15/16 3	3-3/4	3	1-7/8	5-7/8	5.563	5.63	11/16	3-7/8	6.061	4-23/32	3-13/16	1-7/16	2-1/4
3-3/16 3-7/16 3-1/2	4-1/4	3-1/2	2	7-1/8	6.813	6.88	11/16	4-1/2	7.373	5-17/32	4-1/2	1-11/16	2-1/2
3-15/16	5-3/8	4-1/2	2-3/8	7-7/8	7.438	7.50	15/16	5-1/2	7.997	6-1/8	5-5/32	2-1/8	3-1/8

\* +.000 - .002"

% Machine side of unit is on collar side only.

\*\* +.000 - .001 SIZES 1-3/16 THRU 3"

± .0005" SIZES 3-3/16 THRU 3-15/16"  
ALL DIMENSIONS SHOWN IN INCHES

EASY SELECTION PAGE B5-15	SELECTION/DIMENSIONS TYPE E PAGE B5-11/B5-22	SELECTION/DIMENSIONS DOUBLE-INTERLOCK PAGE B5-11/B5-44	SELECTION/DIMENSIONS TAF PAGE B5-11/B5-52
------------------------------	--	--	---