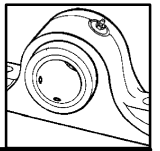
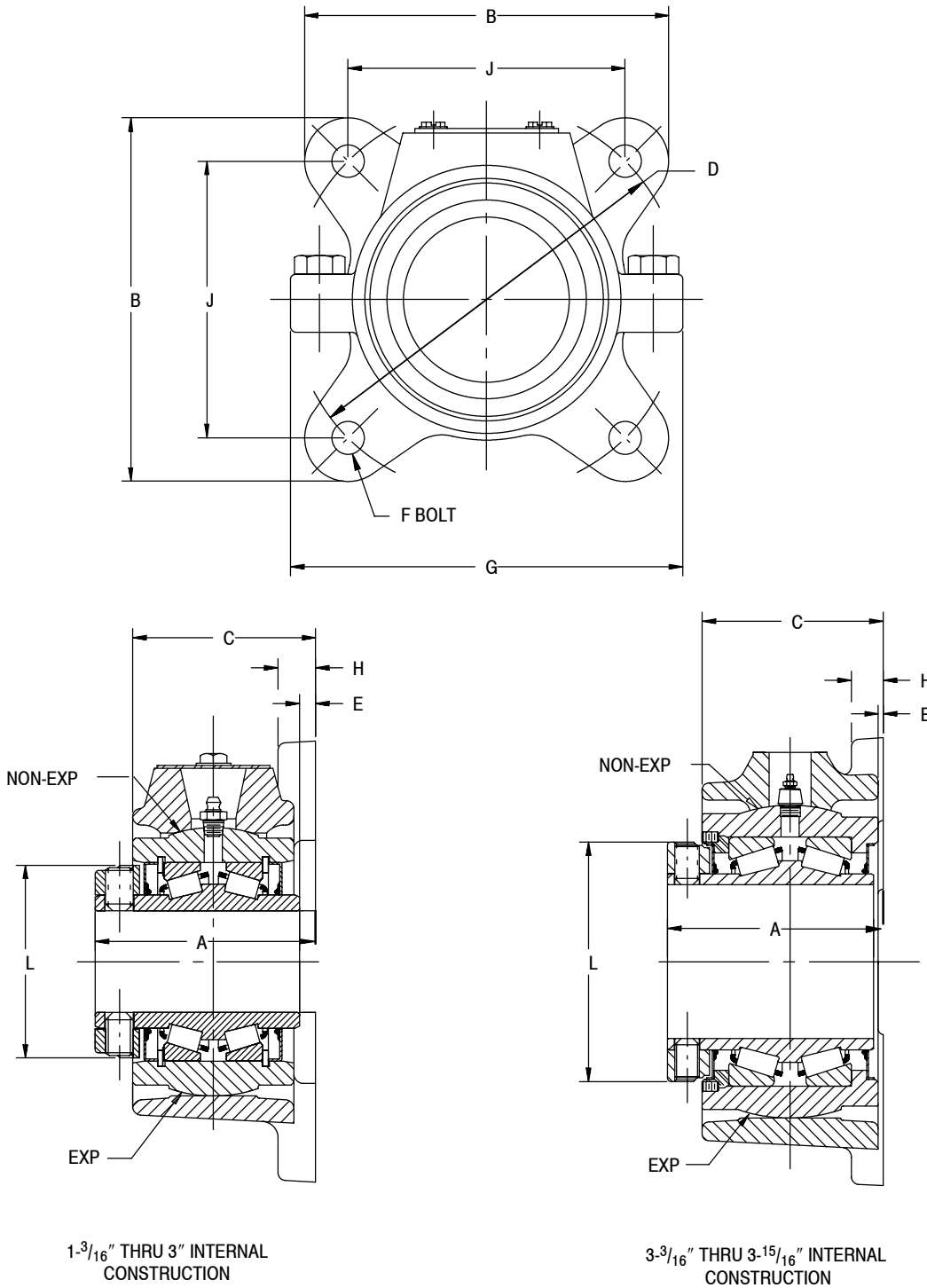


SELECTION/DIMENSIONS

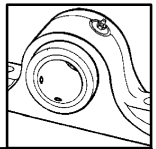


Type K Flange Bearing – Inch



EASY SELECTION PAGE B5-15	ENGINEERING/TECHNICAL PAGE B5-17	SELECTION PAGE B5-11	
------------------------------	-------------------------------------	-------------------------	--

SELECTION/DIMENSIONS



Type K Flange Bearing – Inch

DUCTILE IRON - NON-EXPANSION*			
SHAFT SIZE INCHES #	PART NUMBER	PART NAME	WEIGHT LBS (APPROX)
1-1/4	023212+	F4B-K-104R	6
1-7/16	023214	F4B-K-107R	7
1-1/2	023215	F4B-K-108R	12
1-15/16	023219	F4B-K-115R	14
2	023220	F4B-K-200R	14
2-3/16	023221	F4B-K-203R	17
2-7/16	023223	F4B-K-207R	20
2-1/2	023224+	F4B-K-208R	20
2-15/16	023227	F4B-K-215R	24
3	023228+	F4B-K-300R	24
3-7/16	023230	F4B-K-307R	45
3-15/16	023232	F4B-K-315R	72

DUCTILE IRON - EXPANSION			
SHAFT SIZE INCHES #	PART NUMBER	PART NAME	WEIGHT LBS (APPROX)
1-1/4	023234+	F4B-K-104RE	6
1-7/16	023236	F4B-K-107RE	7
1-1/2	023237	F4B-K-108RE	12
1-15/16	023241	F4B-K-115RE	14
2	023242	F4B-K-200RE	14
2-3/16	023243	F4B-K-203RE	17
2-7/16	023245	F4B-K-207RE	20
2-1/2	023246+	F4B-K-208RE	20
2-15/16	023249	F4B-K-215RE	24
3	023250+	F4B-K-300RE	24
3-7/16	023252	F4B-K-307RE	45
3-15/16	023254	F4B-K-315RE	72

* Furnished Unless Otherwise Specified

Consult DODGE For Sizes Not Listed.

+ Non-stock -- Consult DODGE For Delivery

Consult DODGE For Sizes Not Listed

+ Non-stock -- Consult DODGE For Delivery

SHAFT SIZE INCHES	A	B	C	D	E	F Bolt Dia.	G	H	J	L	EXP*
1-3/16 1-1/4	2-9/16	5-3/16	2-1/8	5-21/32	3/16	3/8	5-1/4	7/16	4	2-1/4	
1-3/8 1-7/16	2-11/16	5-3/4	2-1/8	6-1/4	5/32	1/2	5-3/4	1/2	4-27/64	2-3/4	3/16
1-1/2 1-5/8 1-11/16	3	6-1/8	2-7/16	6-3/4	5/32	1/2	6-3/4	1/2	4-25/32	3-3/16	3/16
1-3/4 1-15/16 2	3-1/8	6-7/8	2-9/16	7-1/2	5/32	5/8	7-1/4	9/16	5-5/16	3-7/16	3/16
2-3/16	3-5/16	7-3/16	2-23/32	8	5/32	5/8	7-13/16	9/16	5-21/32	3-3/4	3/16
2-1/4 2-7/16 2-1/2	3-9/16	7-5/8	2-59/64	8-1/2	3/16	5/8	8-9/16	5/8	6	4-1/16	5/16
2-11/16 2-3/4 2-15/16 3	4	8-7/8	3-11/32	9-3/4	1/4	3/4	9-1/2	11/16	6-57/64	4-23/32	5/16
3-3/16 3-7/16 3-1/2	4-1/2	10-1/4	3-23/32	11-1/2	1/4	7/8	11-3/8	3/4	8-1/8	5-17/32	5/16
3-15/16	5-1/2	11-7/16	4-5/8	13	1/8	1	12-7/8	13/16	9-3/16	6-1/8	5/16

All Dimensions Shown In Inches.

*Exp Total Expansion Divided Equally On Both Sides Of Bearing (Expansion Bearings Only)

FEATURES/BENEFITS PAGE B5-2	SELECTION/DIMENSIONS TYPE E PAGE B5-11/B5-22	SELECTION/DIMENSIONS DOUBLE-INTERLOCK PAGE B5-11/B5-44	SELECTION/DIMENSIONS TAF PAGE B5-11/B5-52
--------------------------------	--	--	---