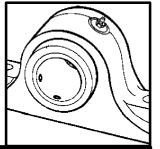
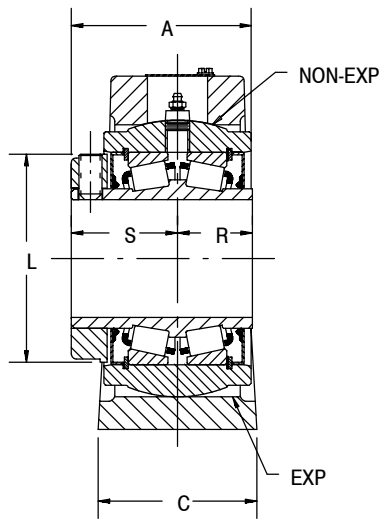
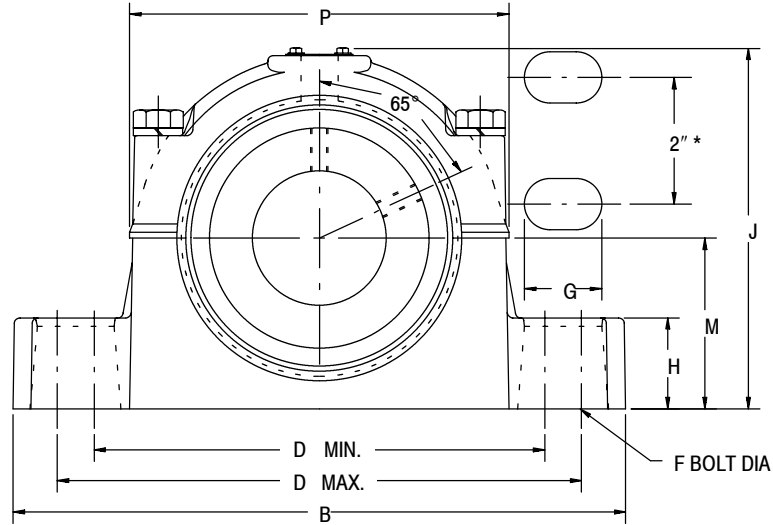


SELECTION/DIMENSIONS

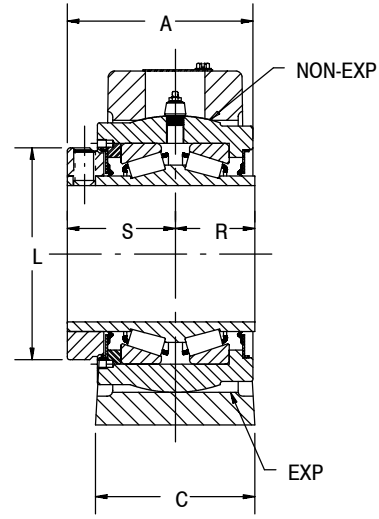


Type K Pillow Blocks

2 & 4 BOLT BASE-INCH*



1-³/₁₆" THRU 3" CONSTRUCTION



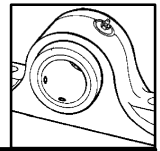
3-³/₁₆" THRU 3-¹⁵/₁₆" CONSTRUCTION

* 1-³/₁₆ THRU 3-¹/₂ (2 BOLT BASE)

* 3-¹⁵/₁₆ (4 BOLT BASE)

FEATURES/BENEFITS PAGE B5-2	SPECIFICATIONS PAGE B5-7	HOW TO ORDER PAGE B5-8	NOMENCLATURE PAGE B5-10
--------------------------------	-----------------------------	---------------------------	----------------------------

SELECTION/DIMENSIONS



Type K Pillow Blocks 2 & 4 BOLT BASE-INCH

GRAY IRON* NON-EXPANSION			
SHAFT SIZE INCHES #	PART NUMBER	PART NAME	WEIGHT LBS (APPROX)
1-3/16	023167	P2B-K-103R	9
1-1/4	023168	P2B-K-104R	9
1-7/16	023170	P2B-K-107R	11
1-1/2	023171	P2B-K-108R	15
1-5/8	023172+	P2B-K-110R	14
1-11/16	023173	P2B-K-111R	14
1-3/4	023174	P2B-K-112R	20
1-15/16	023175	P2B-K-115R	19
2	023176	P2B-K-200R	19
2-3/16	023177	P2B-K-203R	24
2-1/4	023178	P2B-K-204R	28
2-7/16	023179	P2B-K-207R	28
2-1/2	023180	P2B-K-208R	28
2-11/16	023181	P2B-K-211R	40
2-3/4	023182	P2B-K-212R	40
2-15/16	023183	P2B-K-215R	39
3	023184	P2B-K-300R	39
3-7/16	023186+	P2B-K-307R	67
3-1/2	023187	P2B-K-308R	66
3-15/16 ▲	023188	P4B-K-315R	106

GRAY IRON EXPANSION			
SHAFT SIZE INCHES #	PART NUMBER	PART NAME	WEIGHT LBS (APPROX)
1-3/16	023189	P2B-K-103RE	9
1-1/4	023190+	P2B-K-104RE	9
1-7/16	023192	P2B-K-107RE	11
1-1/2	023193	P2B-K-108RE	15
1-5/8	023194+	P2B-K-110RE	14
1-11/16	023195	P2B-K-111RE	14
1-3/4	023196+	P2B-K-112RE	20
1-15/16	023197	P2B-K-115RE	19
2	023198	P2B-K-200RE	19
2-3/16	023199	P2B-K-203RE	24
2-1/4	023200	P2B-K-204RE	28
2-7/16	023201	P2B-K-207RE	28
2-1/2	023202	P2B-K-208RE	28
2-11/16	023203	P2B-K-211RE	40
2-3/4	023204+	P2B-K-212RE	40
2-15/16	023205	P2B-K-215RE	39
3	023206	P2B-K-300RE	39
3-7/16	023208	P2B-K-307RE	67
3-1/2	023209+	P2B-K-308RE	66
3-15/16▲	023210	P4B-K-315RE	106

* Furnished Unless Otherwise Specified

Consult DODGE For Sizes Not Listed

+ Non-stock -- Consult DODGE For Delivery

Consult DODGE For Sizes Not Listed.

+ Non-stock -- Consult DODGE For Delivery

SHAFT SIZE INCHES	A	B	C	D		F BOLT DIA	G	H	J	L	M	P	R	S	EXP*
				MIN.	MAX.										
1-3/16	2-9/32	7-1/2	1-7/8	6	6-3/8	3/8	11/16	1	4-17/32	2-1/4	2-1/8	5	1	1-3/8	3/32
1-1/4															
1-3/8	2-35/64	8	2-3/16	6-1/4	6-5/8	1/2	3/4	1-1/4	5-15/64	2-3/4	2-3/8	5-33/64	1-1/32	1-1/2	3/32
1-7/16															
1-1/2	2-53/64	9	2-3/8	6-7/8	7-5/8	1/2	1	1-3/8	5-3/4	3-3/16	2-5/8	5-13/16	1-9/16	1-11/16	3/32
1-5/8															
1-11/16															
1-3/4	2-61/64	10	2-17/32	7-3/8	8-7/16	5/8	1-19/64	1-1/2	6-17/64	3-7/16	2-7/8	6-23/64	1-13/64	1-3/4	9/32
1-15/16															
2															
2-3/16	3-5/32	11	2-21/32	8-1/16	9-1/4	5/8	1-21/64	1-1/2	6-33/64	3-3/4	3	6-61/64	1-1/4	1-7/8	9/32
2-1/4	3-11/32	12	2-13/16	9-1/4	10-1/4	5/8	1-17/64	1-3/4	7-1/32	4-1/16	3-1/4	7-3/8	1-5/16	2	9/32
2-7/16															
2-1/2															
2-11/16	3-25/32	13-7/16	2-15/16	9-7/8	11-1/2	3/4	1-11/16	2	7-59/64	4-23/32	3-3/4	8-5/16	1-7/16	2-1/4	9/32
2-3/4															
2-15/16															
3	4-17/64	16	3-7/16	12-13/16	13-13/16	7/8	1-1/2	2-1/4	9-27/64	5-7/16	4-1/2	10-3/32	1-11/16	2-1/2	9/32
3-3/16															
3-7/16															
3-1/2	5-13/32	17-7/16	4-3/4	13-1/8	14-3/4	3/4	1-45/64	2-3/4	10-27/64	5-15/16	5	10-45/64	2-1/8	3-1/8	11/32
3-15/16 ▲															

*Exp--total Expansion Divided Equally On Both Sides Of Bearing
(Expansion Bearings Only)

▲ 4 Bolt Base (See Page B5-34 For Bolts Spacing)

Dowel Hole Locations For Precision Positioning - See Page B9-30 - B9-31

SELECTION PAGE B5-11	SELECTION/DIMENSIONS E PAGE B5-11/B5-22	SELECTION/DIMENSIONS DOUBLE-INTERLOCK PAGE B5-11/B5-44	SELECTION/DIMENSIONS TAF PAGE B5-11/B5-52
-------------------------	---	--	---