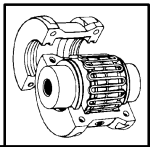
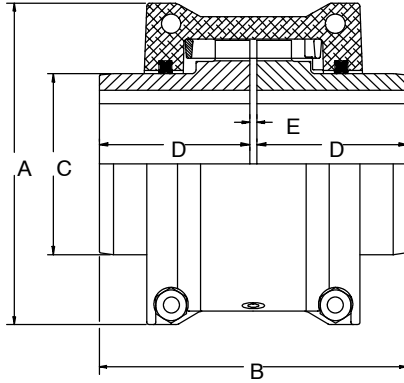


# SELECTION/DIMENSIONS

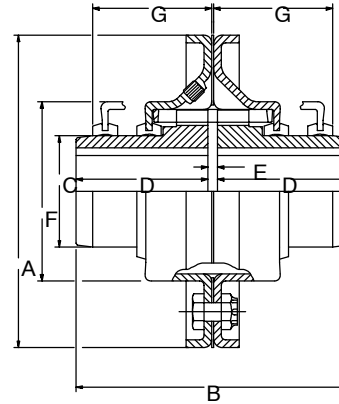


## GRID-LIGN

### STANDARD, STRAIGHT BORE AND TAPER-LOCK DIMENSIONS/RATINGS



TYPE T10



TYPE T20

Coupling Size	Straight Bore			TAPER-LOCK		HP/100		TORQUE		Max. RPM	
	Min. Bore	Maximum Bore		Min. Bore	Max. Bore	Str. Hub	T-L Hub	Str. Hub (In-Lbs)	T-L Hub (In-Lbs)	T10	T20
		Sq. Key	Rec. Key								
1020T	0	1-1/8	1-3/16	N/A	N/A	0.67	—	422	—	4500	6000
1030T	0	1-3/8	1-7/16	1/2	1-1/8	1.90	1.90	1200	1200	4500	6000
1040T	0	1-5/8	1-3/4	1/2	1-1/8	3.20	2.10	2000	1300	4500	6000
1050T	0	1-7/8	2	1/2	1-1/4	5.60	5.60	3500	3500	4500	6000
1060T	0	2-1/8	2-1/4	1/2	1-11/16	8.70	6.80	5500	4300	4350	6000
1070T	0	2-1/2	2-11/16	1/2	2-1/8	13.00	11.30	8000	7150	4125	5500
1080T	0	3	3-1/4	3/4	2-11/16	26.00	17.90	16,500	11,300	3600	4750
1090T	0	3-1/2	3-3/4	15/16	3-1/4	48.00	38.10	30,000	24,000	3600	4000
1100T	0	4	4-1/4	15/16	3-1/4	80.00	38.10	50,500	24,000	2440	3250
1110T	0	4-1/2	4-5/8	1-13/16	3-15/16	120.00	71.10	75,000	44,800	2250	3000
1120T	2-3/8	5	5-3/8	*	*	175.00	*	110,000	*	2025	*
1130T	2-5/8	6	6-1/2	*	*	254.00	*	160,000	*	1800	*
1140T	2-5/8	7	7-1/4	*	*	365.00	*	230,000	*	1650	*

### GRID-LIGN TAPER-LOCK AND STRAIGHT BORE

Coupling Size	A		B		C	D		E	Weight (Lbs.) (1)		Inertia (Lb. Ft. <sup>2</sup> ) (2)
	T10	T20	Str. Hub	T-L Hub		Str. Hub	T-L Hub		T10	T20	
1020T	3.47	4.38	3.89	N/A	1.56	1.88	N/A	0.13	2.80	3.00	0.03
1030T	3.88	4.75	3.89	3.39	1.94	1.88	1.63	0.13	3.80	4.00	0.05
1040T	4.22	5.06	4.13	3.36	2.25	2.00	1.63	0.13	4.70	4.90	0.08
1050T	5.09	5.81	4.88	3.89	2.63	2.38	1.88	0.13	7.30	7.50	0.17
1060T	5.47	6.38	5.13	4.38	3.00	2.50	2.13	0.13	11.00	11.00	0.28
1070T	5.92	6.81	6.13	4.38	3.44	3.00	2.13	0.13	13.80	14.00	0.44
1080T	6.92	7.88	7.13	5.39	4.13	3.50	2.63	0.13	25.10	25.60	1.07
1090T	7.70	9.13	7.88	6.39	4.88	3.88	3.13	0.13	35.10	35.60	1.65
1100T	9.88	10.50	9.69	7.19	5.59	4.75	3.50	0.19	62.60	63.20	3.70
1110T	10.63	11.25	10.19	7.45	6.31	5.00	3.63	0.19	78.50	79.00	5.60
1120T	12.13	12.56	12.00	—	7.06	5.88	*	0.25	114.00	—	10.80
1130T	13.63	14.88	13.00	—	8.56	6.38	*	0.25	165.00	—	20.20
1140T	15.13	16.38	14.75	—	10.00	7.25	*	0.25	236.00	—	36.40

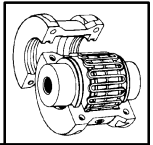
(1) Weight of complete coupling at maximum bore.

(2) Inertia of complete coupling at maximum bore.

\*Priced on Request.

FEATURES/BENEFITS PAGE PT1-38	EASY SELECTION PAGE PT1-41	MODIFICATIONS/ACCESSORIES PAGE PT1-64	ENGINEERING/TECHNICAL PAGE PT1-66
----------------------------------	-------------------------------	--	--------------------------------------

# SELECTION/DIMENSIONS



## GRID-LIGN

### TYPE T10 AND T20 GRID-LIGN COUPLINGS STANDARD STRAIGHT BORE HUBS, TAPER-LOCK – PART NUMBERS

Size	Clearance Fit								Interference Fit				
	1020T	1030T	1040T	1050T	1060T	1070T	1080T	1090T	1100T	1110T	1120T	1130T	1140T
T10 Grid/Cover	•006750	•006751	•006752	•006753	•006754	•006755	•006756	•006757	•006758	•006759	•006760	•006761	•006762
T20 Grid/Cover	•006765	•006766	•006767	•006768	•006769	•006770	•006771	•006772	•006773	•006774	*	*	*
Grid	•006275	•006276	•006277	•006278	•006279	•006280	•006281	•006282	•006283	•006284	*	*	*
T10 Cover	•006250	•006251	•006252	•006253	•006254	•006255	•006256	•006257	•006258	•006259	*	*	*
T20 Cover	•006260	•006261	•006262	•006263	•006264	•006265	•006266	•006267	•006268	•006269	*	*	*
T-L Hubs	N/A	006318	•006319	•006320	•006321	•006322	•006323	•006324	•006325	•006326	*	*	*
Bushing Size	N/A	1108	1108	1215	1615	2012	2525	3030	3030	3535			
Reborable	•006290	•006291	•006292	•006293	•006294	•006295	•006296	•006297	•006298	•006299	•006300	•006301	•006245
Finished Bore Hub													
1/2"	•006580												
5/8"	•006581	•006585											
3/4"	•006582	•006586											
7/8"	•006583	•006587	•006592	•006576									
15/16"	•006571	•006572	•006950	•006953	•006957								
1"	•006584	•006588	•006593	•006577									
1-1/8"	•006793	•006589	•006594	•006599	•006578								
1-3/16"			•006951	•006954	•006958								
1-1/4"		•006590	•006595	•006600	•006579	•006629							
1-3/8"		•006591	•006596	•006601	•006606	•006640							
1-7/16"			•006952	•006955	•006643	•006961							
1-1/2"			•006597	•006602	•006607	•006641	•006642						
1-5/8"			•006598	•006603	•006608	•006612	006539	006540					
1-11/16"				•006956	•006959	006962							
1-3/4"				•006604	•006609	•006613							
1-7/8"				•006605	•006610	•006614	006573	006541					
1-15/16"					•006960	006963							
2"					006794	•006615	•006620						
2-1/8"					006611	•006616	•006621	•006656					
2-3/16"						006964	006966						
2-1/4"						•006617	•006622	•006657					
2-3/8"						•006618	•006623	•006804					
2-7/16"						006965	006967						
2-1/2"						•006619	•006624	•006795	006460				
2-5/8"							•006625	•006796	006461				
2-11/16"							006968	•006790	006473				
2-3/4"							•006626	•006797	006462				
2-7/8"							•006627	•006798	•006463				
2-15/16"							006969	•006791	006474				
3"							•006628	•006799	006464	006486			
3-1/8"								•006800	006465	006487			
3-1/4"								•006801	006466	006488			
3-3/8"								•006802	006467	•006489			
3-7/16"								•006792	006475	006484			
3-1/2"								•006803	•006468	006490			
3-5/8"									006469	006491			
3-3/4"									006480	006470	006492		
3-7/8"										006471	006493		
3-15/16"										006476	006485		
4"										006472	006494		

• Stock Sizes      \* Priced on request

**Note: For TAPER-LOCK design, TAPER-LOCK bushings must be ordered separately.**

**Complete coupling consists of: (2) Hubs, TAPER-LOCK or straight bore, and (1) Grid & cover assy.**

FEATURES/BENEFITS PAGE PT1-38	EASY SELECTION PAGE PT1-41	MODIFICATIONS/ACCESSORIES PAGE PT1-64	ENGINEERING/TECHNICAL PAGE PT1-66
----------------------------------	-------------------------------	--	--------------------------------------