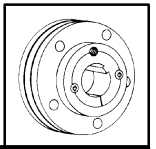
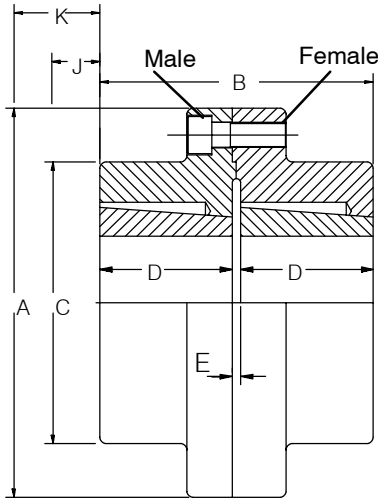


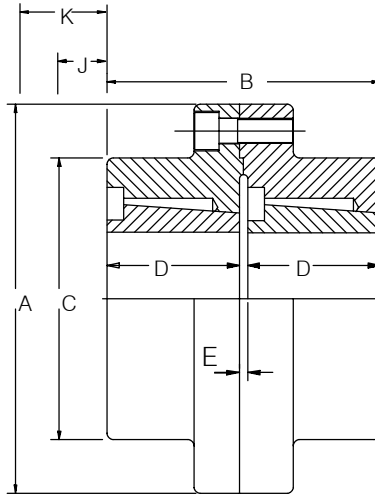
# SELECTION/DIMENSIONS



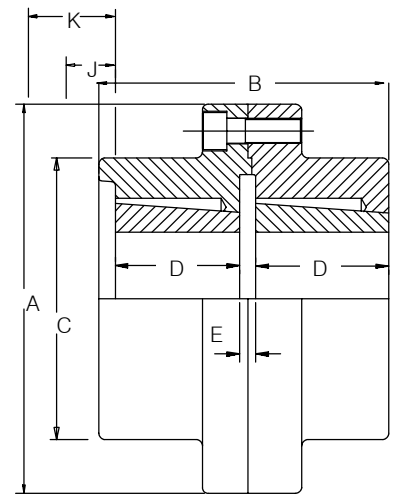
## TAPER-LOCK Rigid



R16 TO R30



R35 TO R50



R60

Size	Bushing Size	Min. Bore	Max. Bore	HP/100	Torque (In-Lb)**	Max. RPM	A	B	C	D	E	J*	K†	Weight (Lbs.)
R16	1615	1/2	1-11/16	8.0	5,050	4965	5.00	3.25	3.25	1.50	0.25	0.81	1.06	8
R25	2517	1/2	2-11/16	29.2	18,400	3545	7.00	3.75	5.00	1.75	0.25	1.00	1.63	19.1
R30	3030	15/16	3-1/4	50.5	31,800	2920	8.50	6.25	5.75	3.00	0.25	1.19	2.06	38.1
R35	3535	1-3/16	3-15/16	80.0	50,500	2545	9.75	7.25	7.00	3.50	0.25	1.31	2.69	62.2
R40	4040	1-7/16	4-7/16	120	75,500	2115	11.75	8.25	8.50	4.00	0.25	1.63	3.38	105.6
R45	4545	1-15/16	4-15/16	170	107,000	1910	13.00	9.25	9.50	4.50	0.25	1.94	4.06	146.7
R50	5050	2-7/16	5-5/16	233	147,000	1740	14.25	10.25	10.50	5.00	0.25	2.31	4.81	194.4
R60	6050	3-7/16	6	404	254,500	1240	20.00	13.25	16.00	5.00	1.75	1.63	4.38	526.7

\* Space required to tighten bushing with shortened hex key in bushings 1615 through 5050. 6050 uses standard wrench. Also space required to loosen screws to permit removal of hub by a puller

† Space required to loosen bushing using screws as jack screws—no puller required. Use shortened hex key for bushing 1615 through 5050. 6050 uses standard wrench

\*\* Ratings are based on uniforming, non-reversing type loads. For more severe conditions, consult DODGE



TAPER-LOCK Rigid

## TAPER-LOCK RIGID PART NUMBERS

Coupling Size	Bushing Size	Male Flange Assy (1) Req'd	Female Flange (1) Req'd
R16	1615	003001	003002
R25	2517	003003	003004
R30	3030	003005	003006
R35	3535	003007	003008
R40	4040	003009	003010
R45	4545	003011	003012
R50	5050	003013	003014
R60	6050	003015	003016

Complete coupling consists of:  
(1) Male Flange Assembly, and  
(1) Female Flange.

NOTE: TAPER-LOCK bushings ordered separately.

D-FLEX COUPLINGS PAGE PT1-2	PARA-FLEX COUPLINGS PAGE PT1-14	GRID-LIGN COUPLINGS PAGE PT1-38	SELECTION METHOD PAGE PT1-67
--------------------------------	------------------------------------	------------------------------------	---------------------------------